

LOCINOX

Let's make it better together



GATE AND ACCESS CONTROL HARDWARE

for ornamental and chain link gates

Version for Architects & Engineers

HELLO. WE ARE LOCINOX.

We are pioneers of high quality outdoor gate hardware.

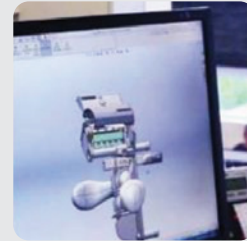
All our products are developed based on 4 criteria:



EASE OF USE



WEATHERPROOF



INDUSTRIAL QUALITY



INNOVATIVE DESIGN

WE'LL SAVE YOU TIME & MONEY

Whether you are a fence contractor, distributor, manufacturer or locksmith - an easy and efficient installation is beneficial to everyone. Every Locinox solution meets the highest quality standards; our products withstand the test of time and are designed to cope with the most extreme weather circumstances.



SPEED OF INSTALLATION
SAVE TIME & MONEY



PRODUCT QUALITY
ELIMINATE SERVICE CALLS



LEFT OR RIGHT HANDED
SAVE ON INVENTORY



PATENTED QUICK-FIX MOUNTING BOLTS

The majority of Locinox products are installed using our patented Quick-Fix mounting bolts.

The Quick-Fix works just like an anchor bolt, expanding against the inside of your post or gate frame. Each Quick-Fix bolt has 2,000 lbs holding force guaranteeing a safe and durable installation.

This unique anchor bolt is very easy to install - just drill one hole per Quick-Fix.



A MULTITUDE OF APPLICATIONS

Locinox is used in various applications, both commercial and residential! Feel free to browse through installations by many of our happy customers at www.locinoxusa.com



INDUSTRIAL & COMMERCIAL



MULTI-FAMILY LIVING



TRANSPORTATION



DOG PARKS



CORRECTIONAL FACILITIES



MILITARY INSTALLATIONS



FESTIVALS



AIRPORTS & PORTS



POWER PLANTS



PARKING LOTS



AMUSEMENT PARKS



EDUCATION



PLAYGROUNDS



STADIUMS

TABLE OF CONTENTS

GATE CLOSERS	9
LOCKS & KEEPS	51
AUTOMATION & ELECTRONICS	79
HINGES & DROP BOLTS	99
TURNSTILE MECHANISM	109

A COUPLE OF TIPS !



The chain link icon means the product can be fitted on round frames with optional brackets. If no icon is shown, the product can be fitted to square or rectangular frames only.



Most Locinox products are fitted with our patented Quick-Fix. This highly innovative and extremely strong anchor bolt resists a pulling force of 2,000 lbs per Quick-Fix.

ZILV 9005

Choose between silver or black, whichever matches your gate best.

24h
SHIPPING

All products in this brochure are in stock and can be shipped within 24h from our office in Chicago.



Most of our products are developed for left and right hand gates.

LOC E SHOP
order when it suits you

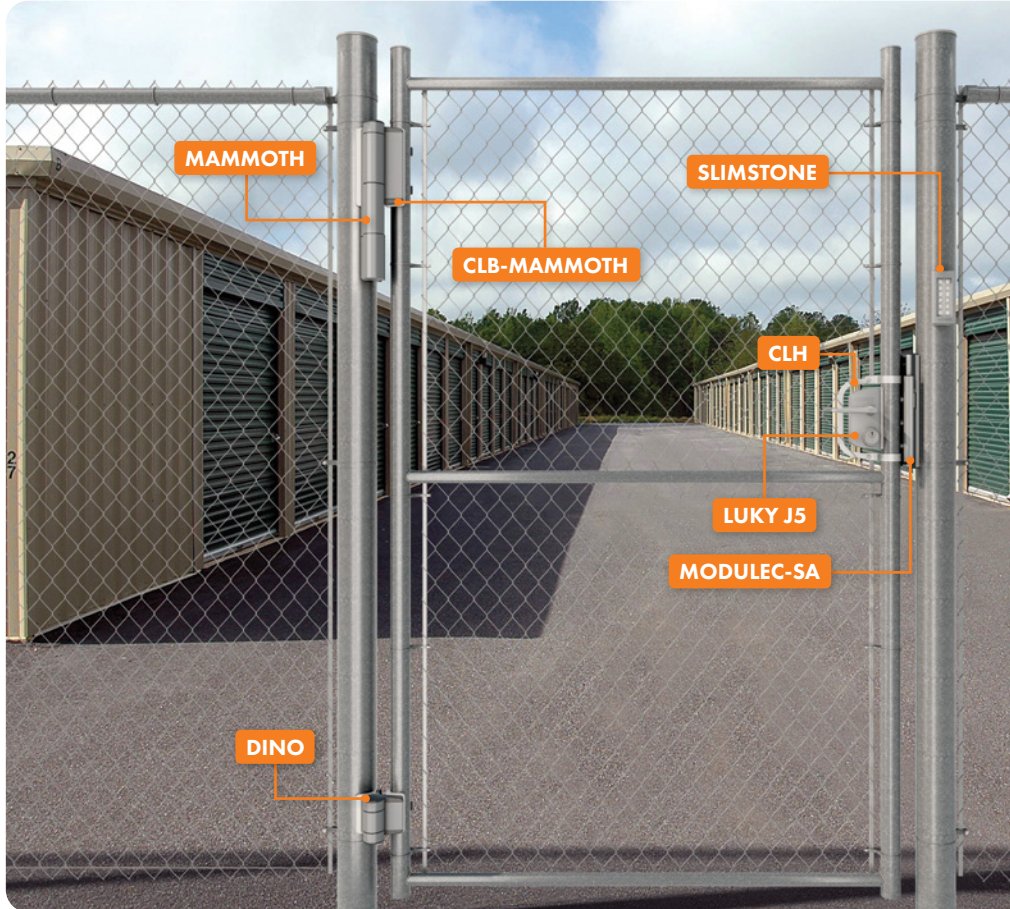
More details, including specs, pictures, (CAD) drawings, videos and prices are available at www.locinoxusa.com

ACCESS CONTROL SOLUTIONS FOR ANY GATE



A SAFE AND CHILDPROOF SWIMMING POOL AREA

- TIGER** (p. 21)
Compact hinge and gate closer in one
- PUMA** (p. 101)
Compact 2-way adjustment 180° surface mounted hinge
- FREE VINCI (LFKQ)** (p. 59)
Mechanical code lock with Free Exit
- PUSHBAR** (p. 68)
Aluminum panic bar
- SAKL QF** (p. 69)
Industrial stainless steel keep
- SHIELD** (p. 69)
Anti-theft protection plate for keeps



SAFE & QUALITY SOLUTIONS FOR INDUSTRIAL GRADE CHAIN LINK GATES

- MAMMOTH** (p. 16) + **DINO** (p. 101)
Stylish hydraulic gate closer for heavy gates
- CLB-MAMMOTH** (p. 26)
Chain link bracket for Mammoth
- LUKY J5** (p. 54)
Surface mounted US Mortise cylinder gate lock
- CLH** (p. 69)
Chain link tension bar adapter
- 3019LA-S-C-V** (p. 69)
Adaptor plate for LA and LS locks
- MODULEC-SA** (p. 85)
Surface mounted electric strike
- 3018-MOD** (p. 69)
Adaptor plate for Modulec strike
- SLIMSTONE** (p. 81)
Robust, weatherproof and frost-free keypad



RELIABLE AND DURABLE SOLUTIONS FOR DOG PARK GATES

TIGER (p. 21) + **PUMA** (p. 101)
Compact hinge and gate closer in one

CLB-TIGER (p. 26)
High quality aluminum bracket for installation of Tiger gate closer on round chain link fences

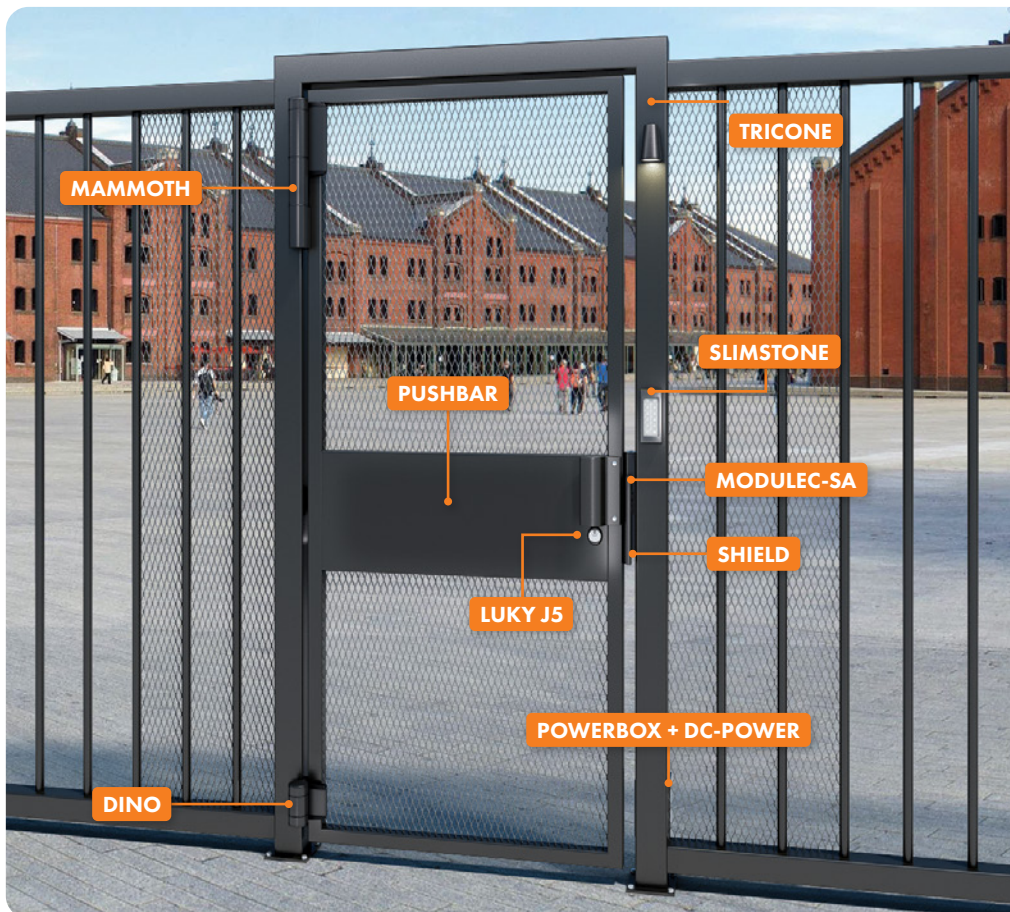
LUKY J5 (p. 54)
Surface mounted US mortise cylinder gate lock

KEYDROP (p. 102)
High quality key lockable drop bolt

CLH (p. 69)
Chain link tension bar adapter

3019LA-S-C-V (p. 69)
Adapter plate for LA and LS locks

SAKL QF (p. 69)
Adjustable keep out of stainless steel



SAFE & CONVENIENT SOLUTIONS FOR ADA AND FREE EGRESS GATES

MAMMOTH (p. 16) + **DINO** (p. 101)
Powerful 180° hydraulic gate closer and hinge in one, for gates up to 330 lbs

LUKY J5 (p. 54)
Surface mounted US mortise cylinder gate lock

PUSHBAR (p. 68)
Easy-to-open panic release bar

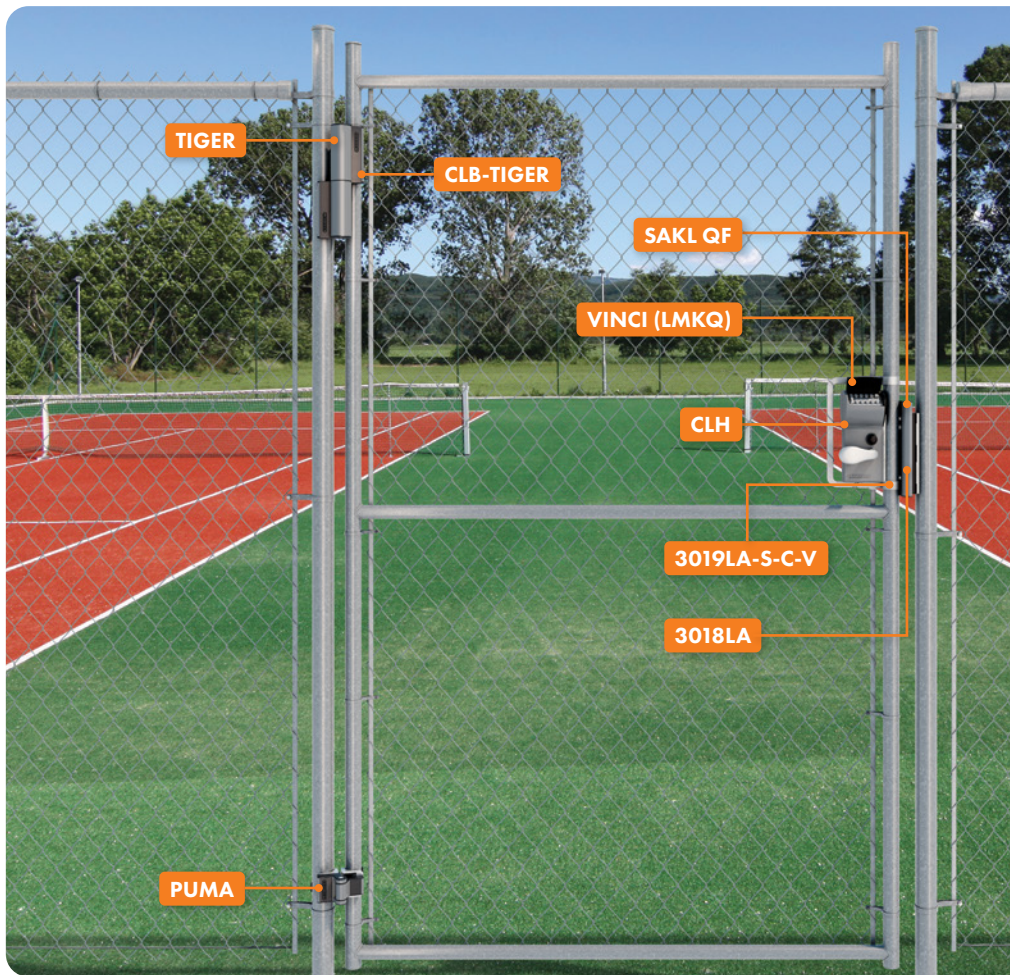
SLIMSTONE (p. 81)
Robust, weatherproof and frost-free keypad (IP68)

MODULEC-SA (p.85)
Premium surface mounted electric strike

SHIELD (p. 69)
Anti-theft protection plate for keeps

TRICONE (p. 95)
Elegant LED exterior light

PB-1 POWERBOX + DC-POWER (p. 97)
Transformer housing + Safety power supply



EASY & RELIABLE SOLUTIONS FOR CHAIN LINK ACCESS GATES

TIGER (p. 22)

Compact hinge and gate closer in one

CLB-TIGER (p. 26)

High quality aluminum bracket for installation of Tiger gate closer on round chain link fences

PUMA (p. 101)

Compact 2-way adjustment 180° surface mounted hinge

VINCI (LMKQ) (p. 59)

Surface mounted mechanical code lock

CLH (p. 69)

Chain link tension bar adapter

3019LA-S-C-V (p. 69)

Adapter plate for LA and LS locks

SAKL QF (p. 69)

Industrial stainless steel keep

3018LA (p. 69)

Round adaptor plate for locks



THE COMPLETE CHAIN LINK CONCEPT GATE FOR ALL USES

SAMSON-2 (p. 27)

Hydraulic retrofit gate closer for wide gates up to 330 lbs

SB (p. 26)

Galvanized bracket to mount Samson-2 on chain link gates

LUKY J5 (p. 54)

Surface mounted US mortise cylinder gate lock

3019LA-S-C-V (p. 69)

Adapter plate for LA and LS locks

6403 (p. 69)

Round adaptor plate for SH keeps

SHKL (p. 69)

Industrial stainless steel security keep

SHIELD (p. 69)

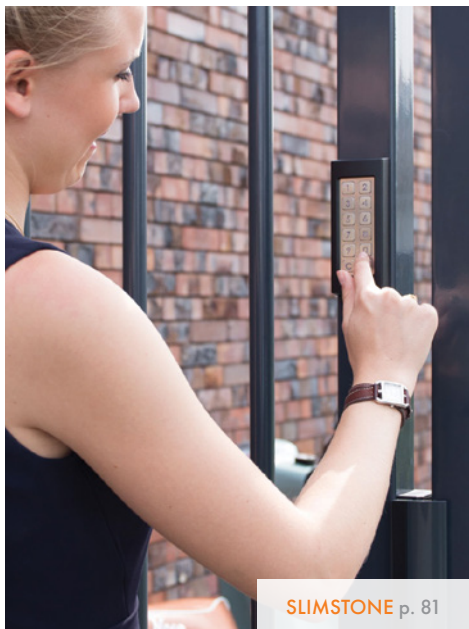
Anti-theft protection plate for keeps

CLH (p. 69)

Chain link tension bar adapter



LUKY J5 p. 54



SLIMSTONE p. 81



BOLTON-HD-4D p. 100



MAMMOTH p. 16

WE HAVE THE SOLUTION YOU NEED.



FREE VINCI p. 59



VERTICLOSE-2 p. 37



TIGER p. 21



MAG p. 891



MAMMOTH
HYDRAULIC GATE CLOSER
(p. 16)

Gate closers

Hydraulic gate closers will transform any gate into a self-closing solution. Comfort, safety and peace of mind are guaranteed thanks to pure hydraulic power. High quality components ensure Locinox gate closers are 100% weatherproof, maintenance-free, and extremely durable. Constant and consistent functioning is guaranteed during an ice cold winter or a sweltering summer. The unique concept ensures an easy and efficient installation thanks to the patented Quick-Fix system. Moreover, closing speed and final snap can be adjusted very precisely and 100% to your customers' wishes.



12 Mammoth-HD

16 Mammoth

21 Tiger



27 Samson-2

32 Lion



37 Verticlose-2

41 Verticlose-2 Wall

45 Interio

49 Installation Tools

CUTTING EDGE SELF-CLOSING TECHNOLOGY



1 ALWAYS A CONSTANT CLOSING SPEED: FREEZING WINTER TO SIZZLING SUMMER

If your gate closes too slow, children or pets could sneak through. If your gate closes too fast, it might become a problem for wheelchair users. A loud slamming gate is not only annoying for you and your neighbors, it's also harmful to your gate.

3 FUNCTIONS COMFORTABLY

The in-house developed high-helix screws guarantee consistent functionality and ensure a comfortable opening speed for elderly or disabled persons.

5 CLOSSES EVERY TIME

The powerful torsion spring guarantees the necessary closing force. Your gate will always close, unaffected by strong winds, the width of your gate, or the outside temperature.

2 ADJUST SPEED AND FINAL SNAP PRECISELY

Some customers prefer their gate to close slowly, while others want it to go a little faster. No problem! All our hydraulic gate closers can easily be adjusted to the wishes of your customers in a matter of seconds.

4 DUST & WATERPROOF

Our gate closers are equipped with rotary seals. These seals protect the gate closers from dirt or dust particles intruding the mechanism, assuring your customers worry-free functioning for many years to come.

6 100% PROTECTED

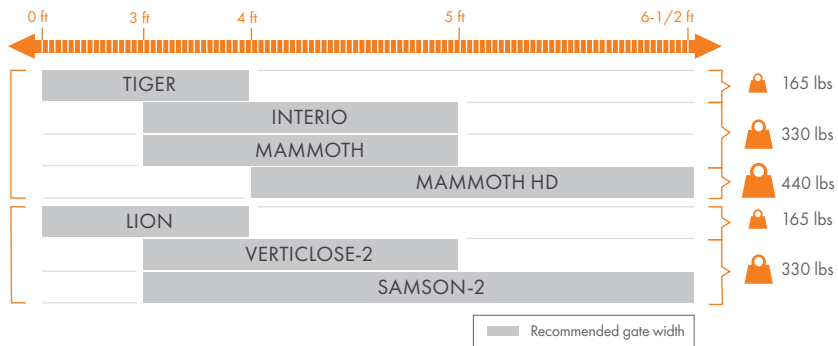
The anodized aluminum housing guarantees full protection against all weather conditions. This housing is frost-free and wind, dust and waterproof, which allows your gate closer to function perfectly.

A GATE CLOSER FOR EVERY GATE

GATE CLOSER & HINGE IN ONE

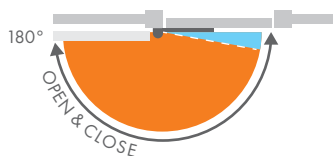


USE WITH EXISTING HINGES

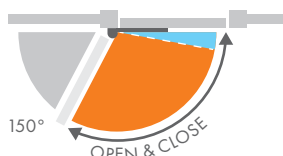


OPENING ANGLE

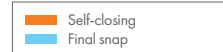
ALL LOCINOX GATE CLOSERS



SAMSON GATE CLOSER



Max 150° depending on position of hinge and gate closer



FITS CHAIN LINK WITH OPTIONAL BRACKETS	
MAMMOTH	✓
TIGER	✓
SAMSON-2	✓
LION	✓



SILENT
OPENING &
CLOSING



ADA
COMPLIANT

PRECISE ADJUSTMENT OF
SPEED & FINAL SNAP
FOR YOUR
COMFORT



VANDAL
PROOF

10

FEATURES
SETTING LOCINOX
GATE CLOSERS APART!



CHILD
& **PET**
FRIENDLY



DURABLE
TESTED FOR
500,000
MOVEMENTS

EFFICIENT
INSTALLATION
FAST & EASY



100%
HYDRAULIC
GREEN &
MAINTENANCE
FREE

EXTREMELY
WEATHERPROOF

CONSTANT CLOSING SPEED

-22° ▶ +158°F



3 YEAR
WARRANTY



MAMMOTH-HD

ULTRA HEAVY DUTY 180° GATE CLOSER AND HINGE
IN ONE FOR GATES UP TO 440 LBS

NEW



- ✓ Powder coated aluminum housing
- ✓ Double stainless steel bearing
- ✓ Specifically designed for exterior use: rain & frost-proof
- ✓ Secure, fast, and easy attachment: Quick-Fix mounting bolts
- ✓ 180° closing angle – NO gate stop needed
- ✓ Closing speed unaffected by humidity and temperature changes
- ✓ ADA compliant opening resistance (< 5 lbs) from gate width 4 ft 7 in and up (max 30 Nm)
- ✓ Adjustable closing speed & final snap
- ✓ Vandal-proof and easy to install
- ✓ Installation gap 9/16" min up to 1-3/8" max (ornamental)
- ✓ Adjustability 3/4" gap and 3/4" height
- ✓ Patented hydraulic damping
- ✓ For left and right opening gates



MAMMOTH-HD-9005

MAMMOTH-HD-ZILV

RECOMMENDED APPLICATIONS

- Ornamental steel
- Ornamental aluminum
- Galvanized/Steel chain link
- For wood and vinyl installations, please contact the manufacturer

INSTALLATION

- New or retrofit installations using Locinox Quick-Fix mounting bolts, each with 2,000 lbs holding force
- Aligns with ease using the DRILLVISE-II or DRILLVISE-IV installation tools (p. 48)
- No welding required!
- Reversible for left or right opening gates
- Adjustable closing speed and final snap

RECOMMENDED FOR





MAMMOTH-HD

Ultra heavy duty 180° gate closer and hinge in one for gates up to 440 lbs

SECTION 087160 – Fence & Gate Hardware

PART 1 - GENERAL

1.1 SUMMARY

- Ⓐ Section Includes
 1. Gate Hardware
- Ⓑ Related Sections
 1. Section 02823 – Chain Link Fences and Gates
 2. Section 16200 – Electrical Power
 3. Section 16724 – Security Access Systems
 4. Section 32310 – Fences & Gates

PART 2 - PRODUCTS

2.1 MANUFACTURERS

- Ⓐ Listed acceptable alternate manufacturers: submit for review products with equivalent function and features of scheduled products

ITEM:	MANUFACTURER:	ACCEPTABLE SUB:
Gate Hinge/Closer	(LOC) Locinox	AS SPEC'D

2.2 GATE HINGE/CLOSER

- Ⓐ Gate Hinge/Closer: Shall be Mammoth-HD
 1. The closer and hinge shall exist of (1) spring activated hinge with hydraulic damping and a double bearing; and (1) spring activated hinge with a double bearing (no damping).
 2. The gate closer shall be 100% mechanical (no electronic components).
 3. It shall be possible to adjust the closing speed of the gate by adjusting a valve with an Allen key.
 4. It shall be possible to activate a final snap (free run) on the gate closer to ensure the latching of the gate.
 5. It shall be possible to eliminate the final snap (free run) on the gate closer in order to have a silent closing (i.e. in combination with magnetic locks).
 6. The closing force shall be adjustable.
 7. The gate closer shall allow for a 180° opening angle of the gate.

8. When opened 180°, the gate closer should self-close over the 180°.
9. The corresponding bottom hinge for the gate closer shall be included.
10. The gate closer should have a hydraulic dampening mechanism.
11. The gate closer shall have an integrated anti-theft protection system.
12. The gate closer should be designed and manufactured in Europe or in the United States.
13. The gate closer shall be ADA compliant.
14. The gate closer should have double rubber sealings to avoid oil leakage at all times.
15. The gate closer should use rotary seals (vs. linear seals) to ensure the longevity of the closer.
16. The gate closer shall be able to close gates up to 440 lbs and gate widths up to 6-½ ft.
17. The opening pressure of the gate closer shall be between 3 and 5 lbs maximum (15 Nm maximum) over the full 180° at a minimum gate width of 4.6 ft.
18. The gate closer shall be available in either a black or silver color.
19. The gate closer shall be specifically made for outdoor use.
20. The hydraulic dampening shall be guaranteed to work properly under all temperature circumstances without any summer or winter adjustments, measured at a 90° opening. The viscosity of the oil shall have no impact on the performance of the gate closer.
 - A. The closing time shall not be below 10 seconds at 158°F (summer).
 - B. The closing time shall not be longer than 30 seconds at -22°F (winter).
21. The closer shall have been tested for 500,000 movements.
22. The closer shall be maintenance free (no greasing nor oil refill).
23. The mechanism shall be made of stainless steel and aluminum components.
24. The housing of the mechanism shall be made from extruded, powder coated aluminum (no wet painting or anodization). The powder coating shall be according to the Qualicoat standards.
25. The gate closer shall have a corrosion resistance of 500h salt spray according to ISO9227.
26. The gate closer shall be fully weather and dustproof.
27. The gate closer shall have a UV-resistance against discoloration of 500h.
28. The closer & hinge shall not require a gate stop.
29. The closer & hinge shall be applicable to square frames; or to round frames by using the designated adapter brackets.



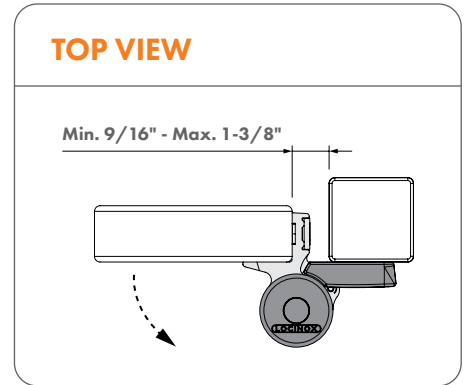
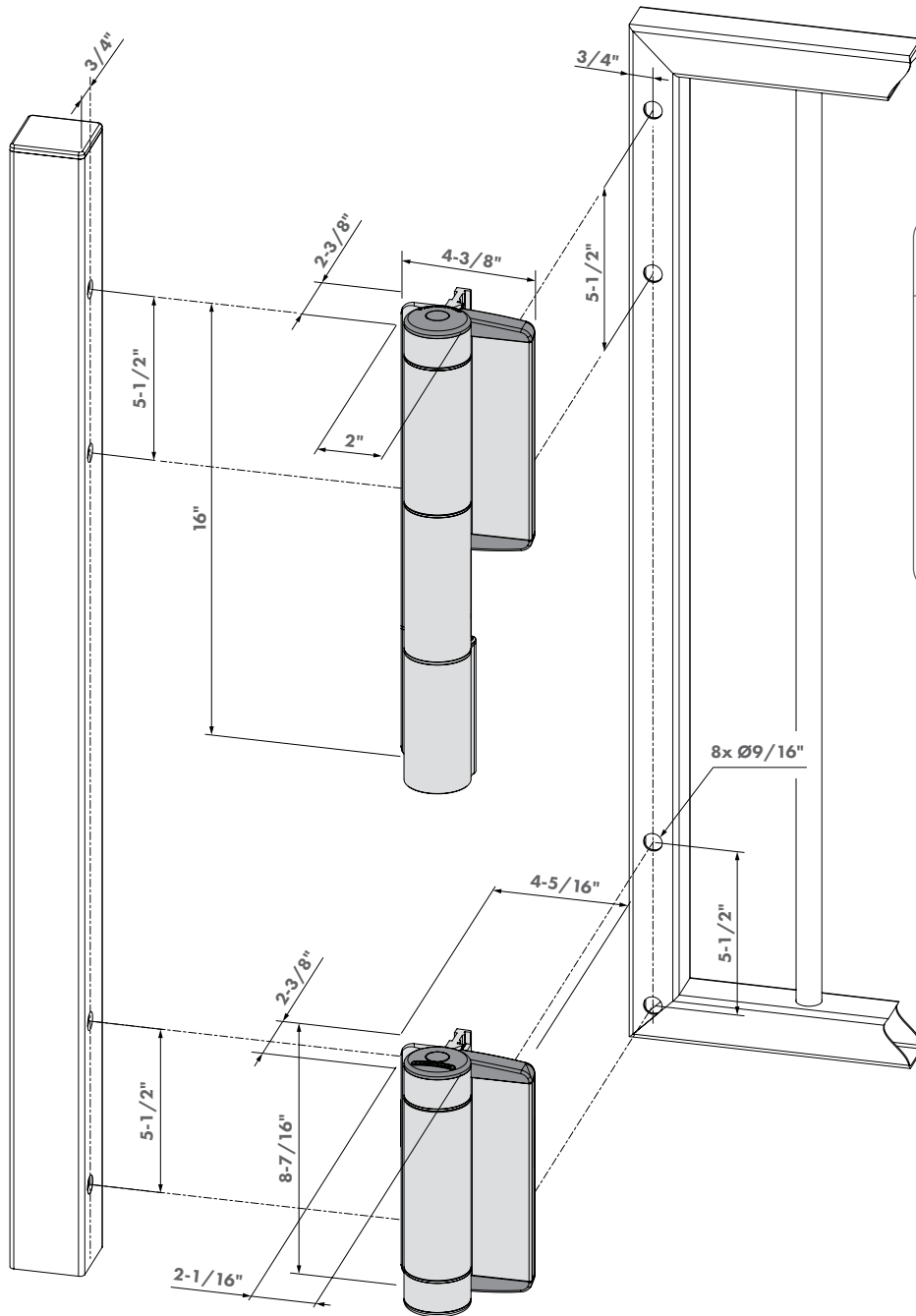
MAMMOTH-HD

Ultra heavy duty 180° gate closer and hinge in one for gates up to 440 lbs

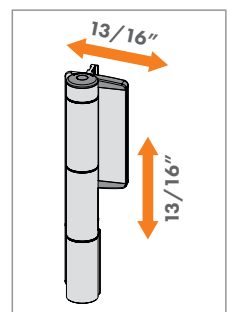
SECTION 087160 – Fence & Gate Hardware



SQUARE frames



ADJUSTABILITY



MAMMOTH

HEAVY DUTY 180° GATE CLOSER AND HINGE IN ONE FOR GATES UP TO 330 LBS



- ✓ Powder coated aluminum housing
- ✓ Double stainless steel bearing
- ✓ 180° closing angle - NO gate stop needed
- ✓ Patented hydraulic damping
- ✓ Closing speed unaffected by humidity and temperature changes
- ✓ ADA compliant (< 5 lbs; max 16 Nm) from gate widths of 3 ft or more
- ✓ Adjustable closing speed & final snap
- ✓ Designed for exterior use: rain & frost-free
- ✓ Secure, fast and easy attachment: Quick-Fix anchor bolts
- ✓ Installation gap 9/16" min up to 1-3/8" max (ornamental)
- ✓ Vandal-proof
- ✓ Adjustability 3/4" gap and 3/4" height



MAMMOTH180-9005

MAMMOTH180-ZILV

RECOMMENDED APPLICATIONS

- Ornamental steel
- Ornamental aluminum
- Galvanized/Steel chain link (for round installations, use adapters on (p. 26))
- For wood and vinyl installations, please contact the manufacturer

INSTALLATION

- New or retrofit installations using Locinox Quick-Fix mounting bolts, each with 2,000 lbs holding force
- Installs on square or round posts using chain link brackets (p. 26)
- Aligns with ease using the DRILLWISE-II or DRILLWISE-IV installation tools (p. 48)
- No welding required!
- Reversible for left or right opening gates
- Adjustable closing speed and final snap

RECOMMENDED FOR





MAMMOTH

Heavy duty 180° gate closer and hinge in one for gates up to 330 lbs

SECTION 087160 – Fence & Gate Hardware

PART 1 - GENERAL

1.1 SUMMARY

- Ⓐ Section Includes
 1. Gate Hardware
- Ⓑ Related Sections
 2. Section 02823 – Chain Link Fences and Gates
 3. Section 16200 – Electrical Power
 4. Section 16724 – Security Access Systems
 5. Section 32310 – Fences & Gates

PART 2 - PRODUCTS

2.1 MANUFACTURERS

- Ⓐ Listed acceptable alternate manufacturers: submit for review products with equivalent function and features of scheduled products

ITEM:	MANUFACTURER:	ACCEPTABLE SUB:
Gate Hinge/Closer	(LOC) Locinox	AS SPEC'D

2.2 GATE HINGE/CLOSER

- Ⓐ Gate Hinge/Closer: Shall be Mammoth
 1. The closer and hinge shall exist of (1) spring activated hinge with hydraulic damping and a double bearing; and (1) double bearing support hinge.
 2. The gate closer shall be 100% mechanical (no electronic components).
 3. It shall be possible to adjust the closing speed of the gate by adjusting a valve with an Allen key.
 4. It shall be possible to activate a final snap (free run) on the gate closer to ensure the latching of the gate.
 5. It shall be possible to eliminate the final snap (free run) on the gate close in order to have a silent closing (i.e. in combination with magnetic locks).
 6. The closing force shall be adjustable.
 7. The gate closer shall allow for a 180° opening angle of the gate.

8. When opened 180°, the gate closer should self-close over the 180°.
9. The corresponding bottom hinge for the gate closer shall be included.
10. The gate closer should have a hydraulic dampening mechanism.
11. The gate closer shall have an integrated anti-theft protection system.
12. The gate closer should be designed and manufactured in Europe or in the United States.
13. The gate closer shall be ADA compliant.
14. The gate closer should have double rubber sealings to avoid oil leakage at all times.
15. The gate closer should use rotary seals (vs. linear) seals to ensure the longevity of the closer.
16. The gate closer shall be able to close gates up to 330 lbs and gate width up to 5 ft.
17. The opening pressure of the gate closer shall be between 3 and 5 lbs maximum (15 Nm maximum) over the full 180° for gate widths of 3 ft or more.
18. The gate closer shall be available in either a black or silver color.
19. The gate closer shall be specifically made for outdoor use.
20. The hydraulic dampening shall be guaranteed to work properly under all temperature circumstances without any summer or winter adjustments, measured at a 90° opening. The viscosity of the oil shall have no impact on the performance of the gate closer.
 - A. The closing time shall not be below 10 seconds at 158°F (summer).
 - B. The closing time shall not be longer than 30 seconds at -22°F (winter).
21. The closer shall have been tested for 500,000 movements.
22. The closer shall be maintenance free (no greasing nor oil refill).
23. The mechanism shall be made of stainless steel and aluminum components.
24. The housing of the mechanism shall be made from extruded, powder coated aluminum (no wet painting or anodization). The powder coating shall be according to the Qualicoat standards.
25. The gate closer shall have a corrosion resistance of 500h salt spray according to ISO9227.
26. The gate closer shall be fully weather and dustproof.
27. The gate closer shall have a UV-resistance against discoloration of 500h.
28. The closer & hinge shall not require a gate stop.
29. The closer & hinge shall be applicable to square frames; or to round frames by using the designated adapter brackets.



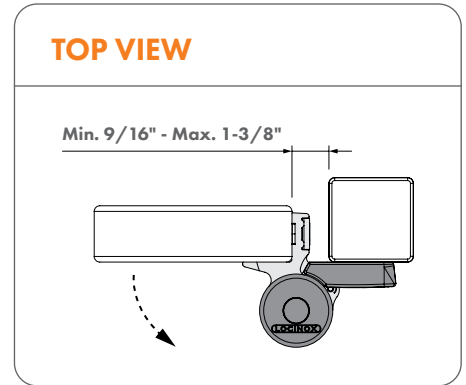
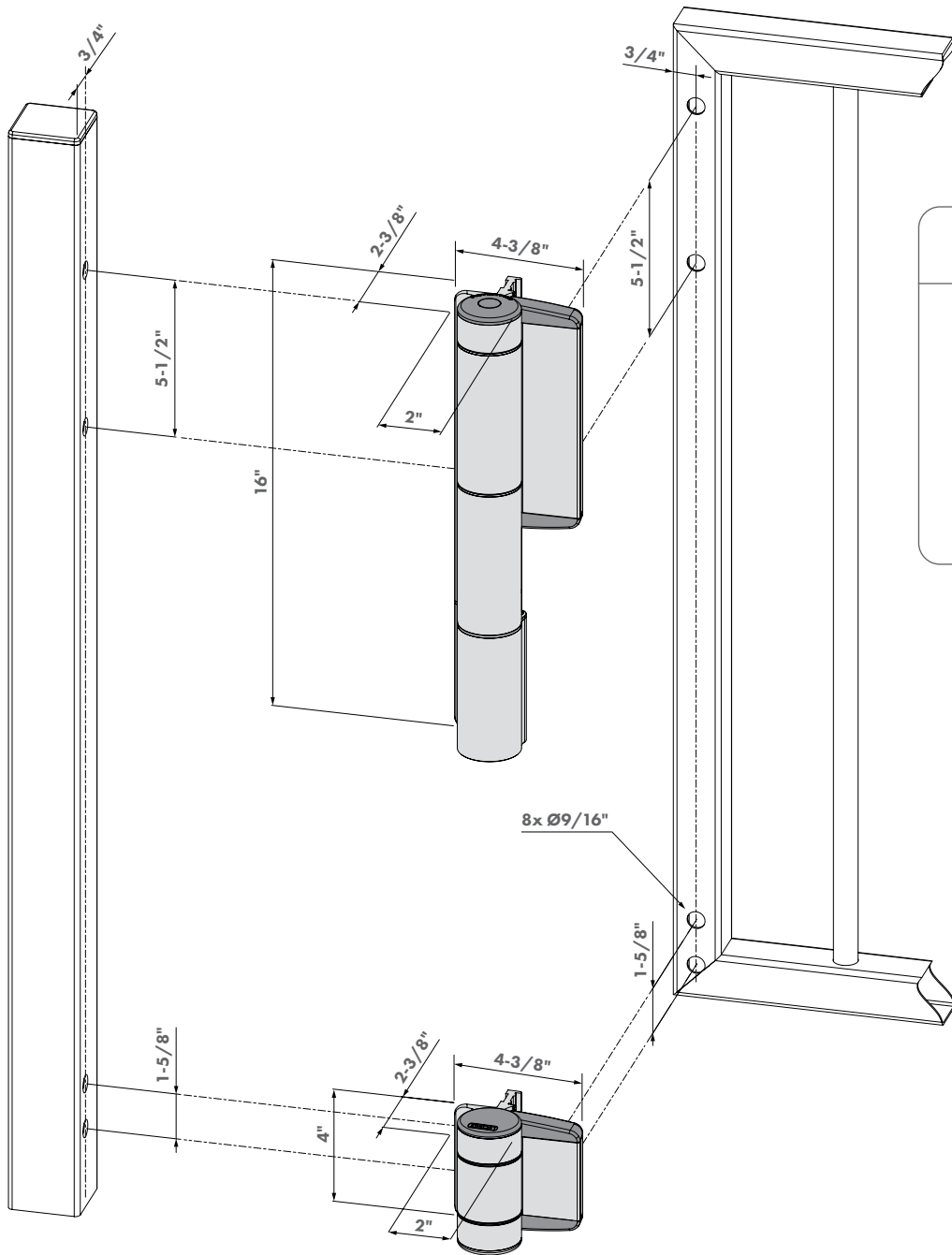
MAMMOTH

Heavy duty 180° gate closer and hinge in one for gates up to 330 lbs

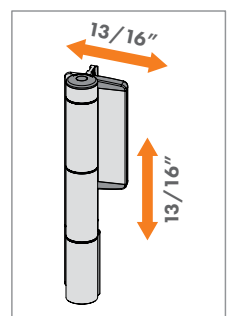
SECTION 087160 – Fence & Gate Hardware

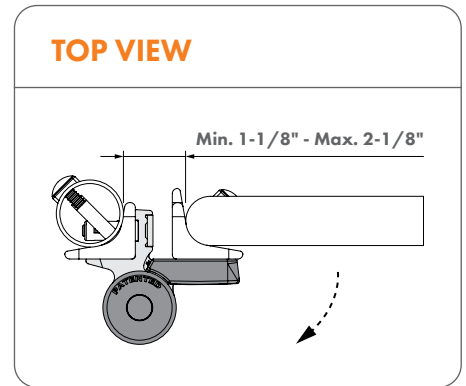
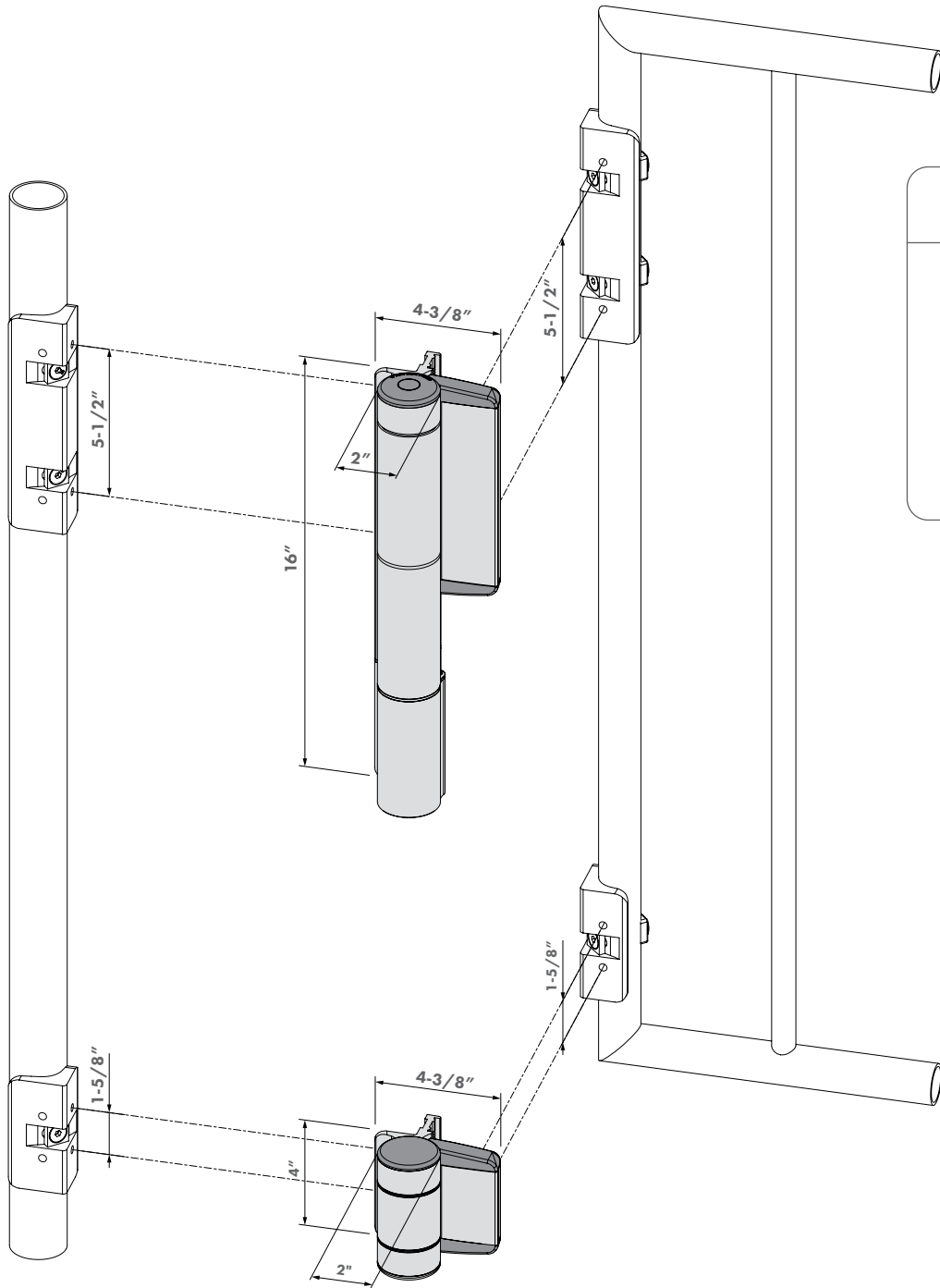


SQUARE frames

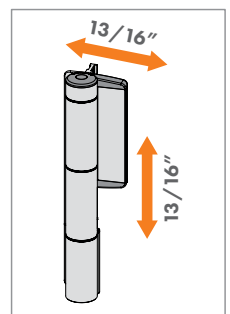


ADJUSTABILITY





ADJUSTABILITY



TIGER

COMPACT 180° HYDRAULIC GATE CLOSER AND HINGE IN ONE FOR GATES UP TO 165 LBS



- ✓ Powder coated aluminum housing
- ✓ Double stainless steel bearing
- ✓ 180° closing angle - NO gate stop needed
- ✓ Patented hydraulic damping
- ✓ Closing speed unaffected by humidity and temperature changes
- ✓ ADA compliant (< 5 lbs; max 16 Nm) from gate widths of 3 ft or more
- ✓ Adjustable closing speed & final action
- ✓ Specifically designed for exterior use: rain & frost-proof
- ✓ Secure, fast and easy attachment using our Quick-Fix mounting bolts
- ✓ Installation gap 7/16" min up to 1" max (ornamental)
- ✓ Adjustability 5/8" gap and 3/4" height
- ✓ Fits chain link (gap 1-1/16" to 1-11/16")



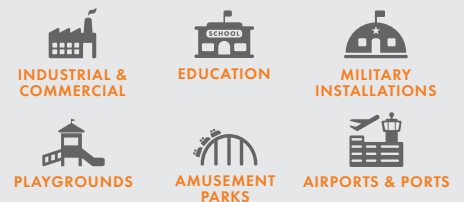
RECOMMENDED APPLICATIONS

- Ornamental steel
- Ornamental aluminum
- Galvanized/Steel chain link (for round installations, use adapters) (p. 26)
- For wood and vinyl installations, please contact the manufacturer

INSTALLATION

- New or retrofit installations using Locinox Quick-Fix mounting bolts, each with 2,000 lbs holding force
- Installs on square or round posts using chain link brackets (p. 26)
- Aligns with ease using TIGERDRILL (p. 49)
- No welding required!
- Reversible for left or right opening gates
- Adjustable closing speed and final snap

RECOMMENDED FOR



TIGER

Compact 180° hydraulic gate closer and hinge in one for gates up to 165 lbs

SECTION 087160 – Fence & Gate Hardware

PART 1 - GENERAL

1.1 SUMMARY

- Ⓐ Section Includes
 1. Gate Hardware
- Ⓑ Related Sections
 2. Section 02823 – Chain Link Fences and Gates
 3. Section 16200 – Electrical Power
 4. Section 16724 – Security Access Systems
 5. Section 32310 – Fences & Gates

PART 2 - PRODUCTS

2.1 MANUFACTURERS

- Ⓐ Listed acceptable alternate manufacturers: submit for review products with equivalent function and features of scheduled products

ITEM:	MANUFACTURER:	ACCEPTABLE SUB:
Gate Hinge/Closer	(LOC) Locinox	AS SPEC'D

2.2 GATE HINGE/CLOSER

- Ⓐ Gate Hinge/Closer: Shall be Tiger
 1. The closer and hinge shall exist of (1) spring activated hinge with hydraulic damping and a double bearing; and (1) support hinge.
 2. The gate closer shall be 100% mechanical (no electronic components).
 3. It shall be possible to adjust the closing speed of the gate by adjusting a valve with an Allen key.
 4. It shall be possible to activate a final snap (free run) on the gate closer to ensure the latching of the gate.
 5. It shall be possible to eliminate the final snap (free run) on the gate closer in order to have a silent closing (i.e. in combination with magnetic locks).
 6. The gate closer shall allow for a 180° opening angle of the gate.
 7. When opened 180°, the gate closer should self-close over the 180°.



8. The corresponding bottom hinge for the gate closer shall be included.
9. The gate closer should have a hydraulic dampening mechanism.
10. The gate closer should be designed and manufactured in Europe or in the United States.
11. The gate closer shall be ADA compliant.
12. The gate closer should have double rubber sealings to avoid oil leakage.
13. The gate closer should use rotary seals (vs. linear seals) to ensure the longevity of the closer.
14. The gate closer shall be able to close gates up to 165 lbs and 4 ft wide.
15. The opening pressure of the gate closer shall be between 3 and 5 lbs maximum (15 Nm maximum) over the full 180° for gate widths of 3 ft or more.
16. The gate closer shall be available in either a black or silver color.
17. The gate closer shall be specifically made for outdoor use.
18. The hydraulic dampening shall be guaranteed to work properly under all temperature circumstances without any summer or winter adjustments, measured at a 90° opening. The viscosity of the oil shall have no impact on the performance of the gate closer.
 - A. The closing time shall not be below 10 seconds at 158°F (summer).
 - B. The closing time shall not be longer than 30 seconds at -22°F (winter).
19. The closer shall have been tested for 500,000 movements.
20. The closer shall be maintenance free (no greasing nor oil refill).
21. The mechanism shall be made of stainless steel and aluminum components.
22. The housing of the mechanism shall be made from extruded, powder coated aluminum (no wet painting or anodization). The powder coating shall be according to the Qualicoat standards.
23. The gate closer shall have a corrosion resistance of 500h salt spray according to ISO9227.
24. The gate closer shall be fully weather and dustproof.
25. The gate closer shall have a UV-resistance against discoloration of 500h.
26. The closer & hinge shall shall not require a gate stop.
27. The closer & hinge shall be applicable to square frames; or to round frames by using the designated adapter brackets.

TIGER

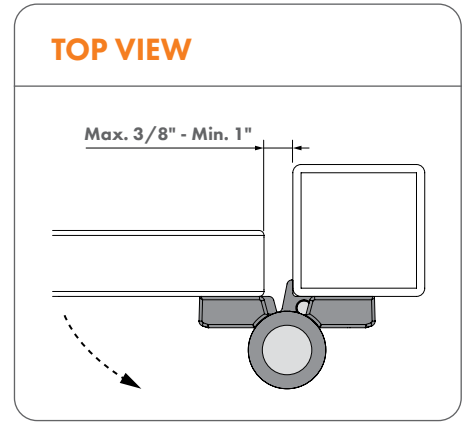
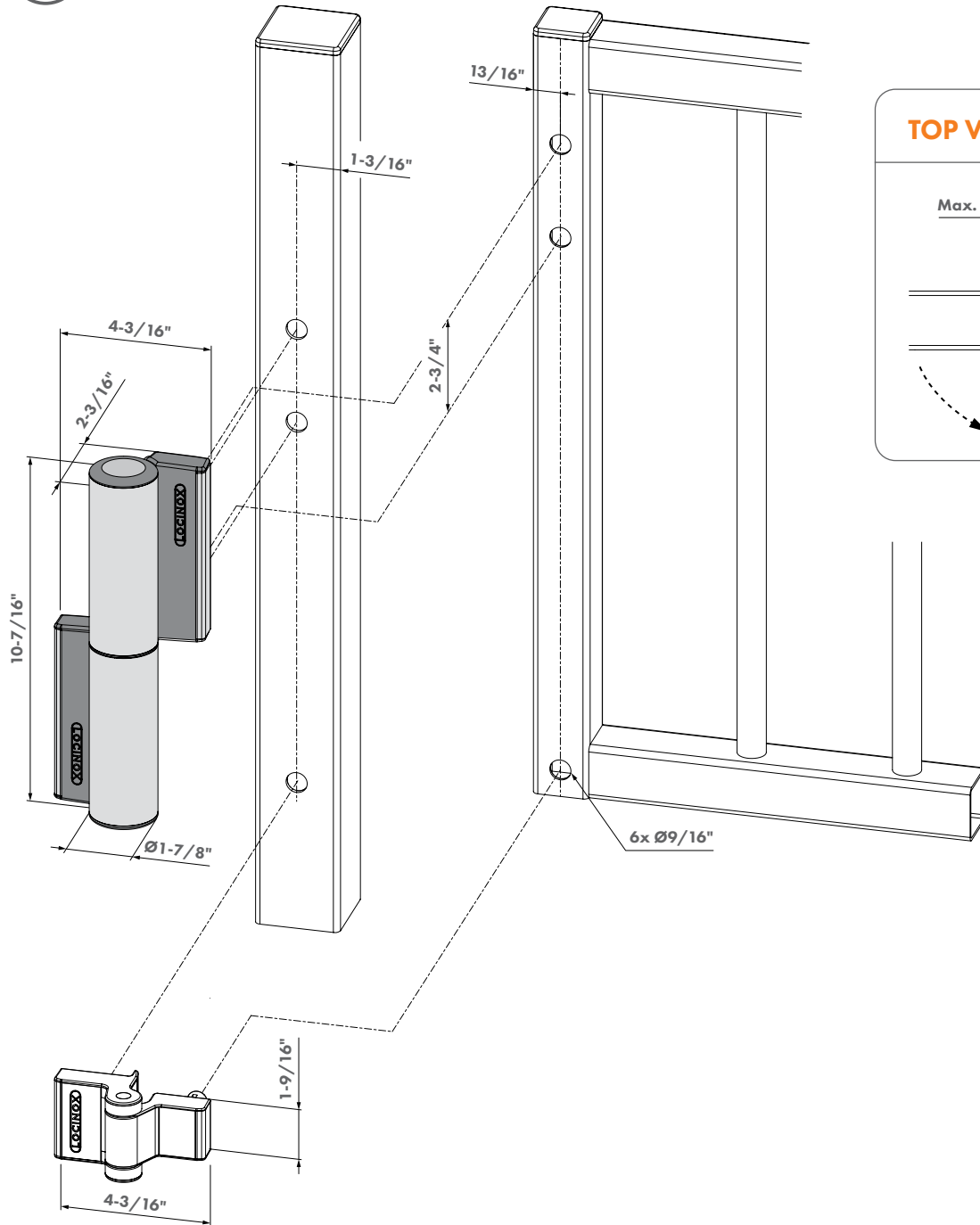
Compact 180° hydraulic gate closer and hinge in one for gates up to 165 lbs

SECTION 087160 – Fence & Gate Hardware

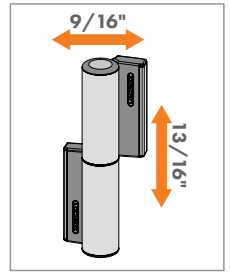


SQUARE frames

TIGER

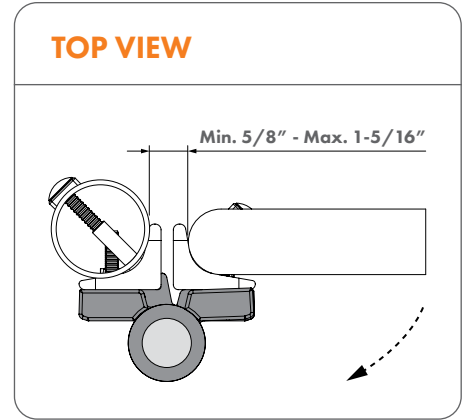
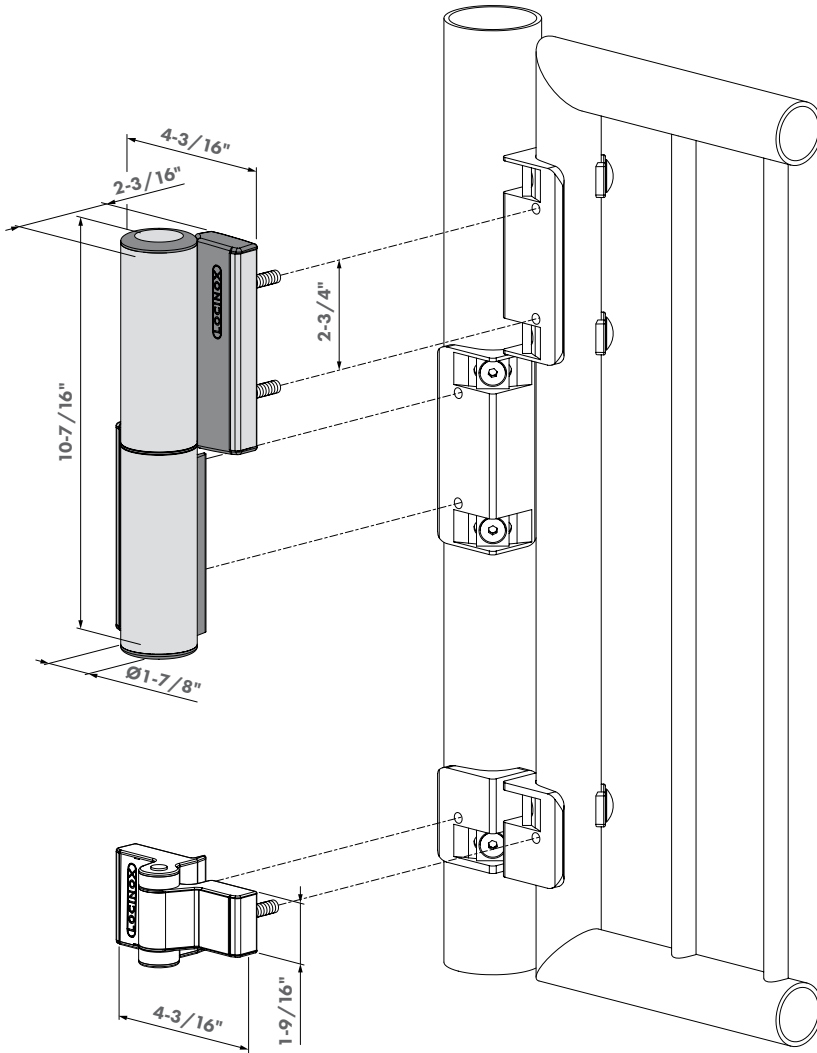


ADJUSTABILITY

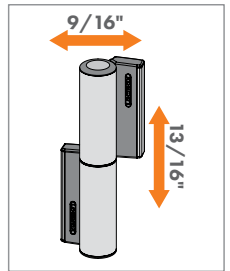




ROUND frames



ADJUSTABILITY



CLB-TIGER

CHAIN LINK BRACKET FOR
TIGER GATE CLOSER



- ✓ Design gap including brackets: 1-³/₈"
- ✓ Brackets for Puma hinge included
- ✓ Gap from 1-¹/₁₆" to 1-¹¹/₁₆"



NEW

NEW



CLB-MAMMOTH

CHAIN LINK BRACKET FOR
MAMMOTH GATE CLOSER



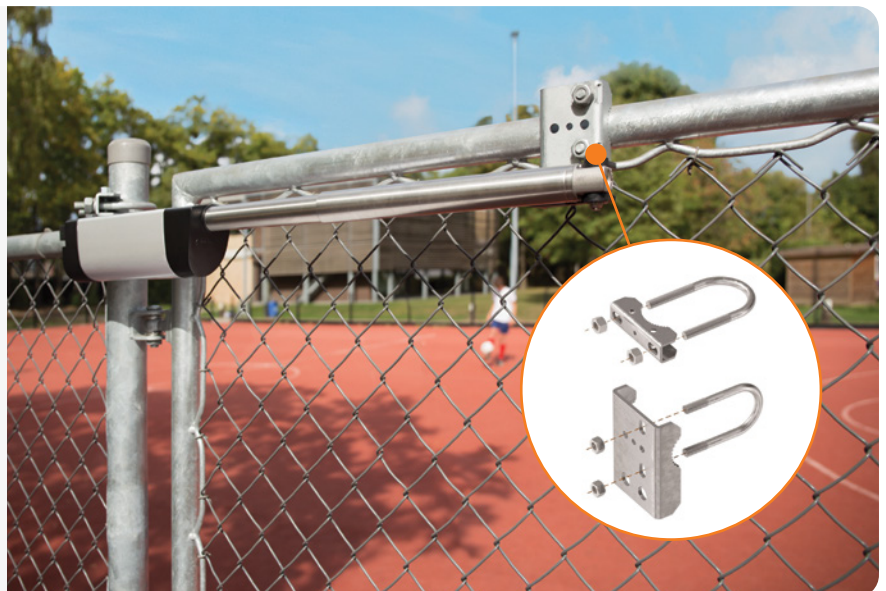
- ✓ Design gap including brackets: 1-⁵/₈"
- ✓ Brackets for Dino hinge included
- ✓ Gap from 1-³/₁₆" to 2-¹/₁₆"

SB

CHAIN LINK BRACKET FOR
SAMSON-2 GATE CLOSER



- ✓ Galvanized steel mounting brackets for round frames



SAMSON-2

HYDRAULIC RETROFIT GATE CLOSER FOR WIDE GATES UP TO 330 LBS



- ✓ Powerful gate closer for retrofit situations
- ✓ Powder coated aluminum housing
- ✓ 150° opening & closing angle depending on the hinge situation
- ✓ Patented hydraulic damping
- ✓ Closing speed unaffected by humidity and temperature changes
- ✓ Adjustable closing speed & final action
- ✓ Specifically designed for exterior use: rain & frost-proof
- ✓ Secure, fast and easy installation: Quick-Fix mounting bolts
- ✓ To use with separate hinges (retrofit)
- ✓ Fits chain link with separate brackets (SB)



ZILV



SAMSON-2

RECOMMENDED APPLICATIONS

- Ornamental steel
- Ornamental aluminum
- Galvanized/Steel chain link (for round installations, use brackets) (p. 26)
- For wood and vinyl installations, please contact the manufacturer

INSTALLATION

- Retrofit installation using Locinox Quick-Fix mounting bolts, each with 2,000 lbs holding force
- Installs on square or round posts using SB chain link brackets (p. 26)
- No welding required!
- Reversible for left or right opening gates
- Adjustable closing speed and final snap
- Samson-2 is a gate closer, not a hinge. Separate exterior rated hinges are needed and recommended.

RECOMMENDED FOR



SAMSON-2

Hydraulic retrofit gate closer for wide gates up to 330 lbs

SECTION 087160 – Fence & Gate Hardware

PART 1 - GENERAL

1.1 SUMMARY

- Ⓐ Section Includes
 1. Gate Hardware
- Ⓑ Related Sections
 2. Section 02823 – Chain Link Fences and Gates
 3. Section 16200 – Electrical Power
 4. Section 16724 – Security Access Systems
 5. Section 32310 – Fences & Gates

PART 2 - PRODUCTS

2.1 MANUFACTURERS

- Ⓐ Listed acceptable alternate manufacturers: submit for review products with equivalent function and features of scheduled products

ITEM:	MANUFACTURER:	ACCEPTABLE SUB:
Gate closers	(LOC) Locinox	AS SPEC'D

2.2 GATE CLOSER

- Ⓐ Gate Closer: Shall be Samson-2.
 1. The gate closer shall be 100% mechanical (no electronic components).
 2. It shall be possible to adjust the closing speed of the gate by adjusting a valve with an Allen key, and this in a continuous way to ensure micro-adjustments.
 3. It shall be possible to activate a final snap (free run) on the gate closer to ensure the latching of the gate.
 4. It shall be possible to eliminate the final snap (free run) on the gate closer in order to have a silent closing (i.e. in combination with magnetic locks).
 5. The closing force shall be adjustable.
 6. The gate closer shall allow for a 150° opening angle of the gate.
 7. When opened 150°, the gate closer should self-close over the 150°.



8. The gate closer should have a hydraulic dampening mechanism.
9. The gate closer shall have an integrated anti-theft protection system.
10. The gate closer should be designed and manufactured in Europe or in the United States.
11. The gate closer should have double rubber sealings to avoid leakage.
12. The gate closer should use rotary seals (vs. linear seals) to ensure the longevity of the closer.
13. The gate closer shall be able to close gates up to 330 lbs and gate width up to 6-½ ft.
14. The gate closer shall be available in silver color.
15. The gate closer shall be specifically made for outdoor use.
16. The hydraulic dampening shall be guaranteed to work properly under all temperature circumstances without any summer or winter adjustments, measured at a 90° opening. The viscosity of the oil shall have no impact on the performance of the gate closer.
 - A. The closing time shall not be below 10 seconds at 158°F (summer).
 - B. The closing time shall not be longer than 30 seconds at -22°F (winter).
17. The closer shall have been tested for 500,000 movements.
18. The closer shall be maintenance free (no greasing nor oil refill).
19. The mechanism shall be made out stainless steel and aluminum components.
20. The housing of the mechanism shall be made from extruded, powder coated aluminum (no wet painting or anodization). The powder coating shall be according to the Qualicoat standards.
21. The gate closer shall have a corrosion resistance of 500h salt spray according to ISO9227.
22. The gate closer shall be fully weather and dustproof.
23. The gate closer shall have a UV-resistance against discoloration of 500h.

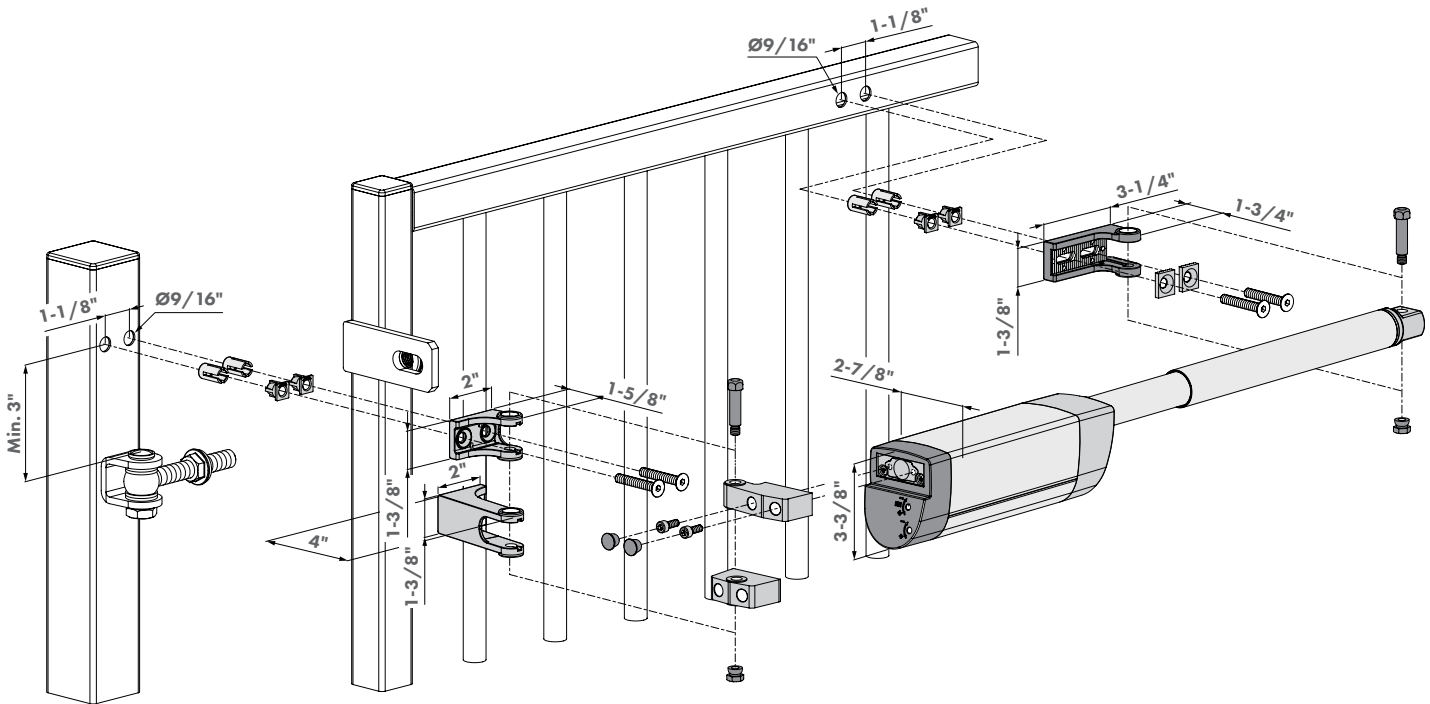
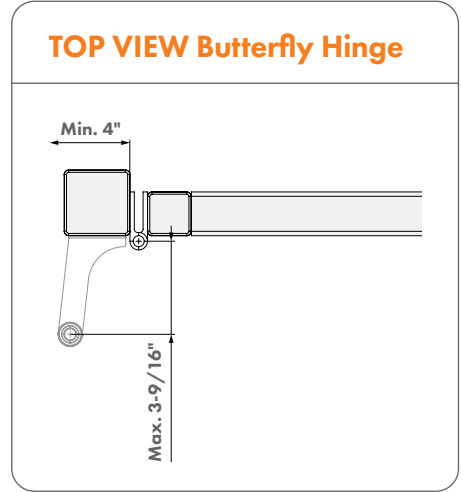
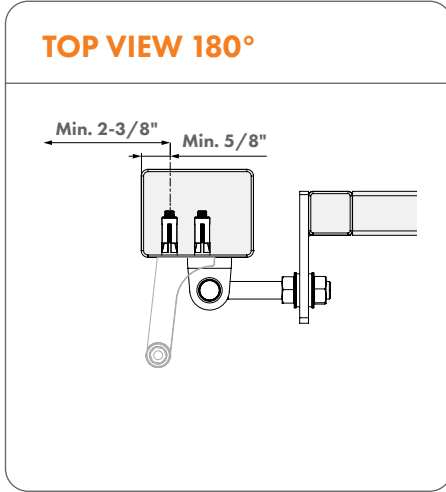
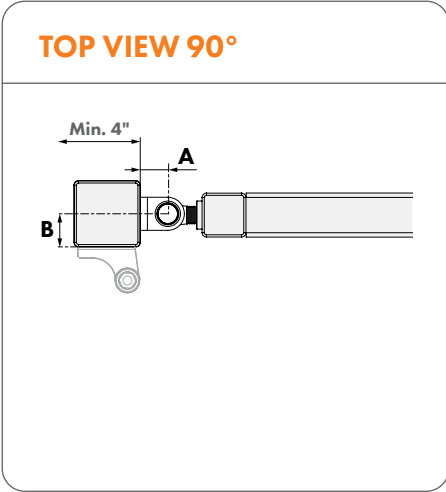
SAMSON-2

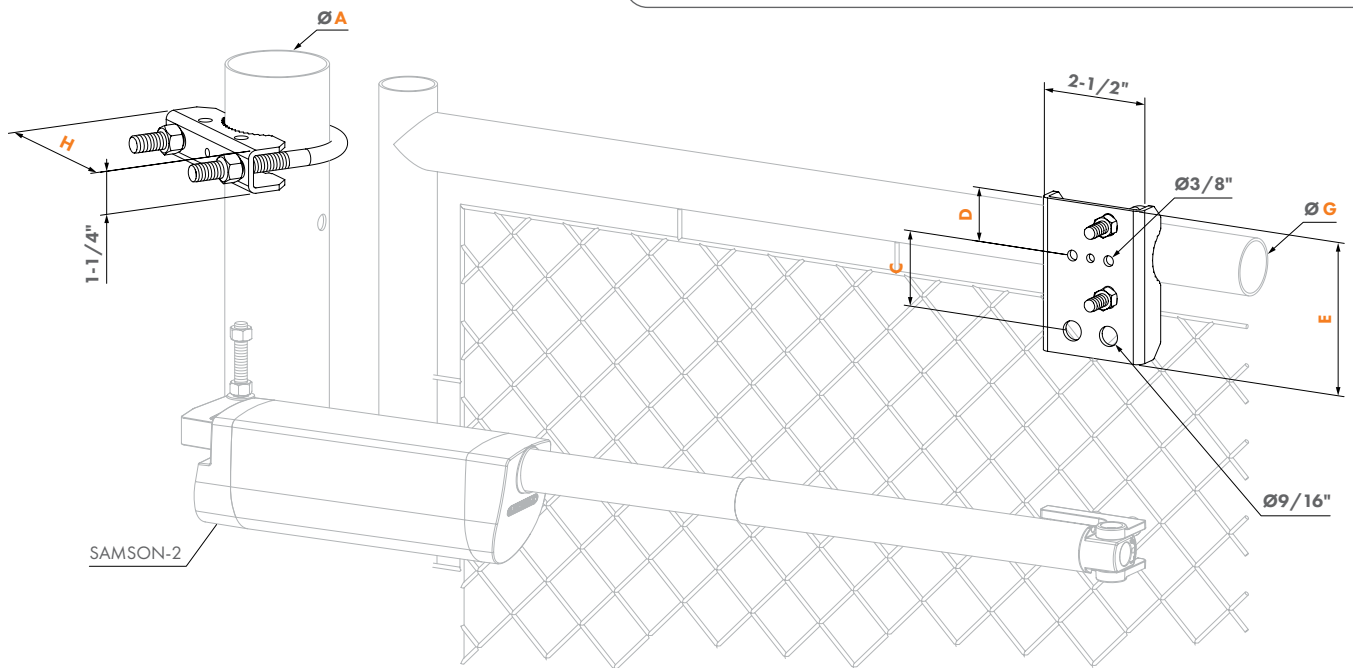
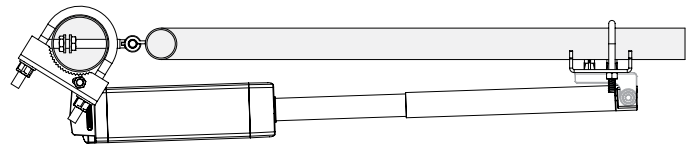
Hydraulic retrofit gate closer for wide gates up to 330 lbs

SECTION 087160 – Fence & Gate Hardware



SQUARE frames




ROUND frames
TOP VIEW


Order codes	A	B	C	D	E	F	G	H
SB-3015	1-5/8"	1-5/8"	2-3/16"	1-9/16"	4-1/2"	3"	3"	4-3/4"
SB-3020	1-7/8"	1-7/8"	2-3/8"	1-3/4"	4-13/16"	3"	3"	4-3/4"
SB-4015	1-5/8"	1-5/8"	2-3/16"	1-9/16"	4-1/2 4"	4"	4"	5-7/8"
SB-4020	1-7/8"	1-7/8"	2-3/8"	1-3/4"	4-13/16"	4"	4"	5-7/8"

LION

COMPACT 90° OR 180° RETROFIT GATE CLOSER
FOR GATES UP TO 165 LBS



- ✓ Powerful 180° gate closer for retrofit installations
- ✓ Powder coated aluminum housing
- ✓ 180° closing angle - NO gate stop needed
- ✓ Patented hydraulic damping
- ✓ Closing speed unaffected by humidity or temperature changes
- ✓ ADA compliant (< 5 lbs; max 16 Nm) from gate widths of 3 ft or more
- ✓ Adjustable closing speed & final action
- ✓ Specifically designed for exterior use: rain & frost-proof
- ✓ Secure, fast and easy attachment: Quick-Fix mounting bolts
- ✓ For use with separate hinges (retrofit)

9005

ZILV



LION-9005



LION-ZILV

RECOMMENDED APPLICATIONS

- Ornamental steel
- Ornamental aluminum
- Galvanized/Steel chain link
- For wood and vinyl installations, please contact the manufacturer
- Concrete

INSTALLATION

- Retrofit installation using Locinox Quick-Fix mounting bolts, each with 2,000 lbs holding force
- No welding required!
- Reversible for left or right opening gates
- Adjustable closing speed and final snap
- Lion is a gate closer not a hinge. Separate exterior rated hinges are needed and recommended.
- Comes with 90° and 180° rail sets for on-site flexibility. The existing hinges will determine the setup needed.

RECOMMENDED FOR





LION

Compact 90° or 180° retrofit gate closer for gates up to 165 lbs

SECTION 087160 – Fence & Gate Hardware

PART 1 - GENERAL

1.1 SUMMARY

- Ⓐ Section Includes
 1. Gate Hardware
- Ⓑ Related Sections
 2. Section 02823 – Chain Link Fences and Gates
 3. Section 16200 – Electrical Power
 4. Section 16724 – Security Access Systems
 5. Section 32310 – Fences & Gates

PART 2 - PRODUCTS

2.1 MANUFACTURERS

- Ⓐ Listed acceptable alternate manufacturers: submit for review products with equivalent function and features of scheduled products

ITEM:	MANUFACTURER:	ACCEPTABLE SUB:
Gate closers	(LOC) Locinox	AS SPEC'D

2.2 GATE CLOSER

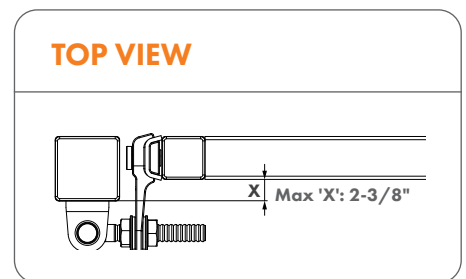
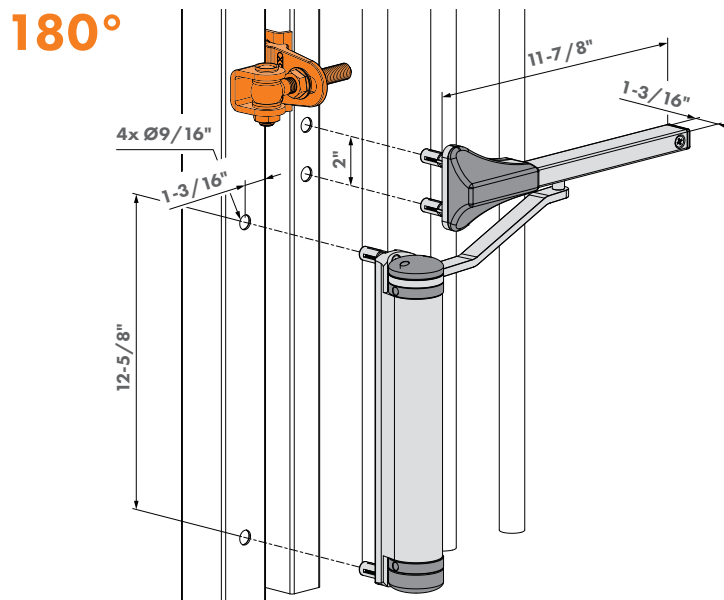
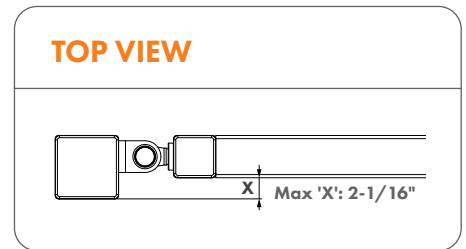
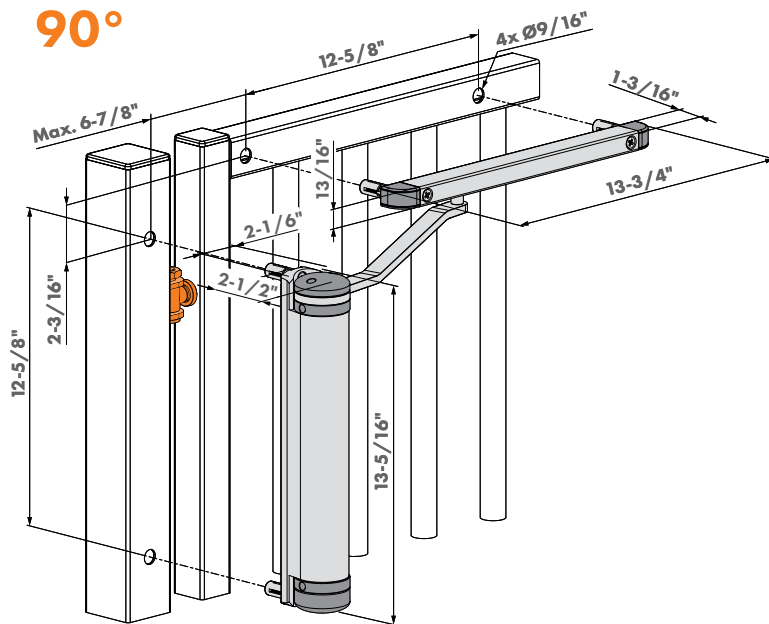
- Ⓐ Gate Closer: Shall be Lion.
 1. The gate closer shall be 100% mechanical (no electronic components).
 2. It shall be possible to adjust the closing speed of the gate by adjusting a valve with an Allen key.
 3. It shall be possible to activate a final snap (free run) on the gate closer to ensure the latching of the gate.
 4. It shall be possible to eliminate the final snap (free run) on the gate closer in order to have a silent closing (i.e. in combination with magnetic locks).
 5. The closing force shall be adjustable.
 6. The gate closer shall allow for a 180° opening angle of the gate.
 7. When opened 180°, the gate closer should self-close over the 180°.
 8. The gate closer should have a hydraulic dampening mechanism.

9. The gate closer should be designed and manufactured in Europe or in the United States.
10. The gate closer shall be ADA compliant.
11. The gate closer should have double rubber sealings to avoid leakage.
12. The gate closer should use rotary seals (vs. linear) seals to ensure the longevity of the closer.
13. The gate closer shall be able to close gates up to 165 lbs and gate width up to 4 ft.
14. The opening pressure of the gate closer shall be between 3 and 5 lbs maximum (15 Nm maximum) over the full 180° for gate widths from 3 ft or more.
15. The gate closer shall be available in either a black or silver color.
16. The gate closer shall be specifically made for outdoor use.
17. The hydraulic dampening shall be guaranteed to work properly under all temperature circumstances without any summer or winter adjustments, measured at a 90° opening. The viscosity of the oil shall have no impact on the performance of the gate closer.
 - A. The closing time shall not be below 10 seconds at 158°F (summer).
 - B. The closing time shall not be longer than 30 seconds at -22°F (winter).
18. The closer shall have been tested for 500,000 movements.
19. The closer shall be maintenance free (no greasing nor oil refill).
20. The mechanism shall be made of stainless steel and aluminum components.
21. The housing of the mechanism shall be made from extruded, powder coated aluminum (no wet painting or anodization). The powder coating shall be according to the Qualicoat standards.
22. The gate closer shall have a corrosion resistance of 500h salt spray according to ISO9227.
23. The gate closer shall be fully weather and dustproof.
24. The gate closer shall have a UV-resistance against discoloration of 500h.

LION

Compact 90° or 180° retrofit gate closer for gates up to 165 lbs

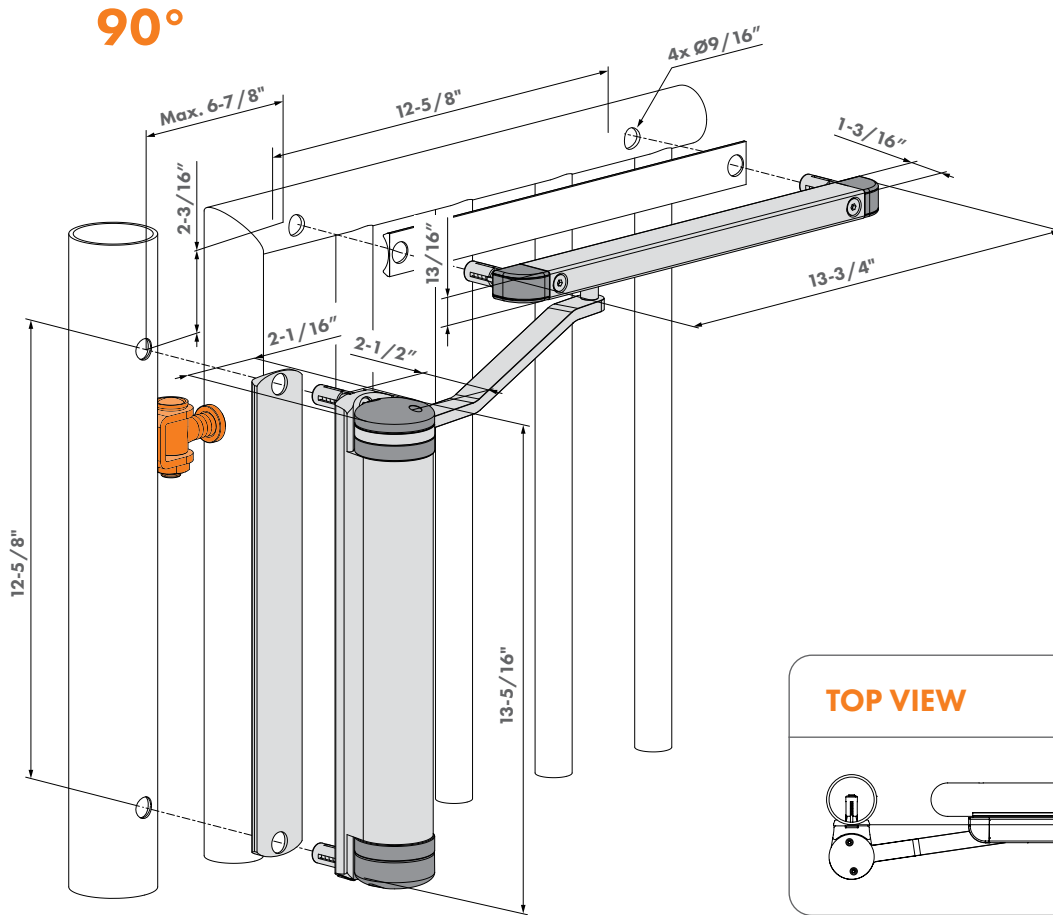
SECTION 087160 – Fence & Gate Hardware





ROUND frames

LION



VERTICLOSE-2

HEAVY DUTY 90° OR 180° RETROFIT HYDRAULIC GATE CLOSER FOR GATES UP TO 330 LBS



- ✓ Powerful 180° gate closer for retrofit installations
- ✓ Powder coated aluminum housing
- ✓ 180° closing angle - NO gate stop needed
- ✓ Patented hydraulic damping
- ✓ Closing speed unaffected by humidity or temperature changes
- ✓ ADA compliant (< 5 lbs; max 25 Nm) from gate widths of 4 ft or more
- ✓ Adjustable closing speed & final action
- ✓ Specifically designed for exterior use: rain & frost-proof
- ✓ Secure, fast and easy attachment using our Quick-Fix mounting bolts
- ✓ For use with separate hinges (retrofit)



VERTICLOSE-2-9005

VERTICLOSE-2-ZILV

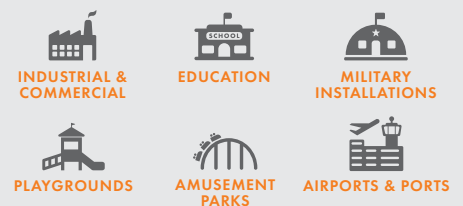
RECOMMENDED APPLICATIONS

- Ornamental steel
- Ornamental aluminum
- For wood and vinyl installations, please contact the manufacturer
- Concrete

INSTALLATION

- Retrofit installation using Locinox Quick-Fix mounting bolts, each with 2,000 lbs holding force
- No welding required!
- Reversible for left or right opening gates
- Adjustable closing speed and final snap
- Comes with 90° and 180° rail sets for on-site flexibility. The existing hinges will determine the setup needed.
- Verticlose-2 is a gate closer not a hinge. Separate exterior rated hinges are needed and recommended.

RECOMMENDED FOR



VERTICLOSE-2

Heavy duty 90° or 180° retrofit hydraulic gate closer for gates up to 330 lbs

SECTION 087160 – Fence & Gate Hardware

PART 1 - GENERAL

1.1 SUMMARY

- Ⓐ Section Includes
 1. Gate Hardware
- Ⓑ Related Sections
 2. Section 02823 – Chain Link Fences and Gates
 3. Section 16200 – Electrical Power
 4. Section 16724 – Security Access Systems
 5. Section 32310 – Fences & Gates

PART 2 - PRODUCTS

2.1 MANUFACTURERS

- Ⓐ Listed acceptable alternate manufacturers: submit for review products with equivalent function and features of scheduled products

ITEM:	MANUFACTURER:	ACCEPTABLE SUB:
Gate closers	(LOC) Locinox	AS SPEC'D

2.2 GATE CLOSER

- Ⓐ Gate Closer: Shall be Verticlose-2.
 1. The gate closer shall be 100% mechanical (no electronic components).
 2. It shall be possible to adjust the closing speed of the gate by adjusting a valve with an Allen key.
 3. It shall be possible to activate a final snap (free run) on the gate closer to ensure the latching of the gate.
 4. It shall be possible to eliminate the final snap (free run) on the gate closer in order to have a silent closing (i.e. in combination with magnetic locks).
 5. The closing force shall be adjustable.
 6. The gate closer shall allow for a 180° opening angle of the gate.
 7. When opened 180°, the gate closer should self-close over the 180°.
 8. The gate closer should have a hydraulic dampening mechanism.



9. The gate closer should be designed and manufactured in Europe or in the United States.
10. The gate closer shall be ADA compliant.
11. The gate closer should have double rubber sealings to avoid oil leakage at all times.
12. The gate closer should use rotary seals (vs. linear) seals to ensure the longevity of the closer.
13. The gate closer shall be able to close gates up to 330 lbs and gate width up to 5 ft.
14. The gate closer shall be available in either a black or silver color.
15. The gate closer shall be specifically made for outdoor use.
16. The opening pressure of the gate closer shall be between 3 and 5 lbs maximum (15 Nm maximum) over the full 180° for gate widths of 4 ft or more.
17. The hydraulic dampening shall be guaranteed to work properly under all temperature circumstances without any summer or winter adjustments, measured at a 90° opening. The viscosity of the oil shall have no impact on the performance of the gate closer.
 - A. The closing time shall not be below 10 seconds at 158°F (summer).
 - B. The closing time shall not be longer than 30 seconds at -22°F (winter).
18. The closer shall have been tested for 500,000 movements.
19. The closer shall be maintenance free (no greasing nor oil refill).
20. The mechanism shall be made of stainless steel and aluminum components.
21. The housing of the mechanism shall be made from extruded, powder coated aluminum (no wet painting or anodization). The powder coating shall be according to the Qualicoat standards.
22. The gate closer shall have a corrosion resistance of 500h salt spray according to ISO9227.
23. The gate closer shall be fully weather and dustproof.
24. The gate closer shall have a UV-resistance against discoloration of 500h.

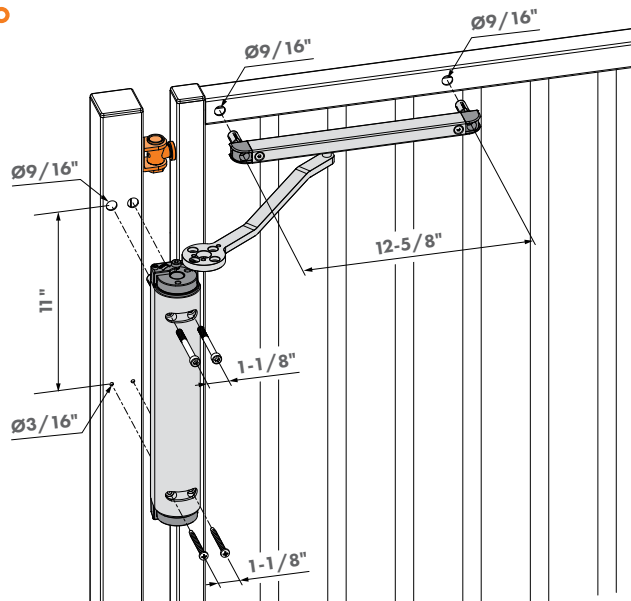
VERTICLOSE-2

Heavy duty 90° or 180° retrofit hydraulic gate closer for gates up to 330 lbs

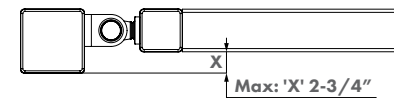
SECTION 087160 – Fence & Gate Hardware



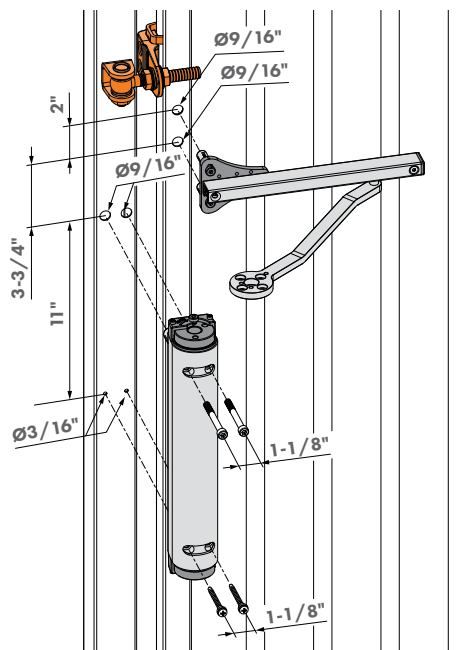
90°



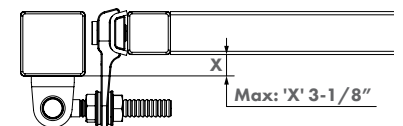
TOP VIEW



180°



TOP VIEW



VERTICLOSE-2-WALL

90° OR 180° HYDRAULIC GATE CLOSER FOR WALL-MOUNTED GATES UP TO 330 LBS



- ✓ Powerful 180° gate closer for retrofit installations
- ✓ Powder coated aluminum housing
- ✓ 180° closing angle - NO gate stop needed
- ✓ Patented hydraulic damping
- ✓ Closing speed unaffected by humidity or temperature changes
- ✓ ADA compliant: low opening resistance: max. 15 Nm (3-5 lbs)
- ✓ Adjustable closing speed & final action
- ✓ Specifically designed for exterior use: rain & frost-proof
- ✓ Secure, fast and easy attachment; Quick-Fix mounting bolts
- ✓ Specially designed arm for wall mounting guaranteeing a wide opening angle

9005

ZILV



VERTICLOSE-2-WALL-9005

VERTICLOSE-2-WALL-ZILV

RECOMMENDED APPLICATIONS

- Ornamental steel
- Ornamental aluminum
- For wood and vinyl installations, please contact the manufacturer
- Concrete

INSTALLATION

- Designed for installations in alleyways or narrow spaces
- Retrofit installation with Locinox Quick-Fix mounting bolts
- Installs on square profile concrete or wood surfaces with ease
- No welding required!
- Reversible for left or right opening gates
- Comes with 90° and 180° rail sets for on-site flexibility. The existing hinges will determine the setup needed.
- The Verticlose-2 Wall is a gate closer not a hinge. Separate exterior rated hinges are needed and recommended.

RECOMMENDED FOR



VERTICLOSE-2-WALL

90° or 180° hydraulic gate closer for wall-mounted gates up to 330 lbs

SECTION 087160 – Fence & Gate Hardware

PART 1 - GENERAL

1.1 SUMMARY

- Ⓐ Section Includes
 1. Gate Hardware
- Ⓑ Related Sections
 2. Section 02823 – Chain Link Fences and Gates
 3. Section 16200 – Electrical Power
 4. Section 16724 – Security Access Systems
 5. Section 32310 – Fences & Gates

PART 2 - PRODUCTS

2.1 MANUFACTURERS

- Ⓐ Listed acceptable alternate manufacturers: submit for review products with equivalent function and features of scheduled products.

ITEM:	MANUFACTURER:	ACCEPTABLE SUB:
Gate closers	(LOC) Locinox	AS SPEC'D

2.2 GATE CLOSER

- Ⓐ Gate Closer: Shall be Verticlose-2.
 1. The gate closer shall be 100% mechanical (no electronic components).
 2. It shall be possible to adjust the closing speed of the gate by simply adjusting a valve with an Allen key, and this in a continuous way to ensure micro-adjustments.
 3. It shall be possible to activate a final snap (free run) on the gate closer to ensure the latching of the gate.
 4. It shall be possible to eliminate the final snap (free run) on the gate closer completely in order to have a silent closing (i.e. in combination with magnetic locks).
 5. The closing force shall be adjustable.
 6. The gate closer shall allow for a 180° opening angle of the gate.
 7. When opened 180° the gate closer should self-close over the 180°.



8. The gate closer should have a hydraulic dampening mechanism.
9. The gate closer should be designed and manufactured in Europe or in the United States.
10. The gate closer shall be ADA compliant.
11. The gate closer should have double rubber sealings to avoid oil leakage at all times.
12. The gate closer should use rotary seals (vs. linear) seals to ensure the longevity of the closer.
13. The gate closer shall be able to close gates up to 330 lbs and 5 ft wide.
14. The gate closer shall be available in either a black or silver color.
15. The gate closer shall be specifically made for outdoor use (IP68).
16. The opening pressure of the gate closer shall be between 3 and 5 lbs maximum (15 Nm maximum) over the full 180° for gate widths of 4 ft or more.
17. The hydraulic dampening shall be guaranteed to work properly under all temperature circumstances without any summer or winter adjustments, measured at a 90° opening. The viscosity of the oil shall have no impact on the performance of the gate closer.
 - A. The closing time shall not be below 10 seconds at 158°F (summer).
 - B. The closing time shall not be longer than 30 seconds at -22°F (winter).
18. The closer shall have been tested for 500,000 movements.
19. The closer shall be maintenance free (no greasing nor oil refill).
20. The mechanism shall be made out stainless steel and aluminum components.
21. The housing of the mechanism shall be made from extruded, powder coated aluminum (no wet painting or anodization). The powder coating shall be according to the Qualicoat standards.
22. The gate closer shall have a corrosion resistance of 500h salt spray according to ISO9227.
23. The gate closer shall be fully weather and dustproof.
24. The gate closer shall have a UV-resistance against discoloration of 500h.

VERTICLOSE-2-WALL

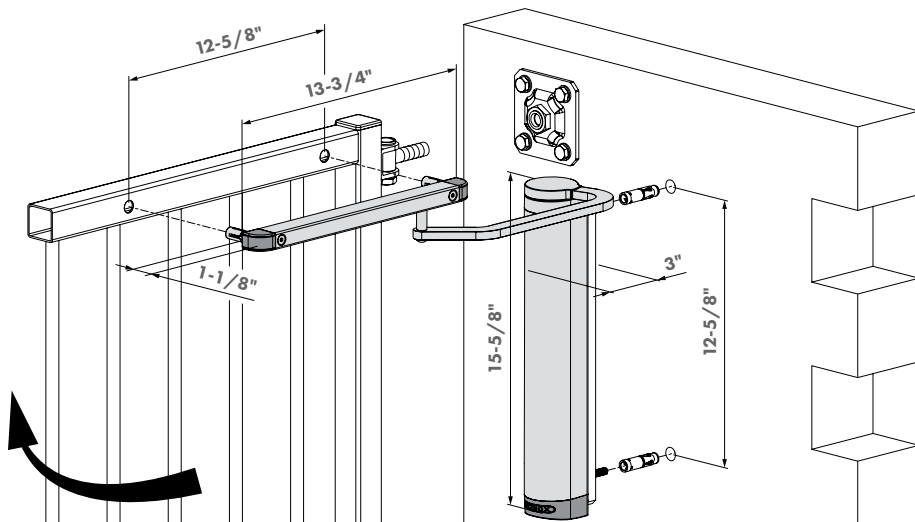
90° or 180° hydraulic gate closer for wall-mounted gates up to 330 lbs

SECTION 087160 – Fence & Gate Hardware

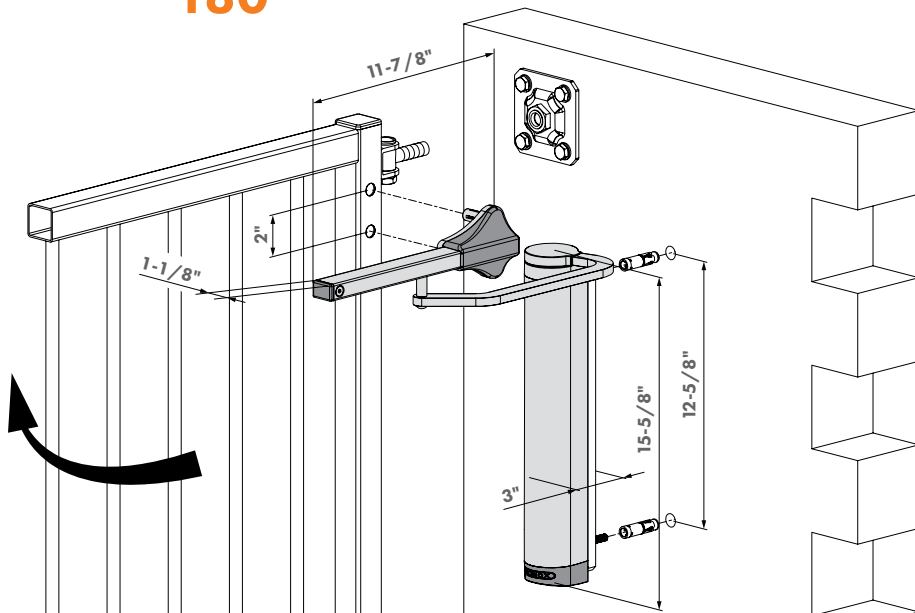


SQUARE frames

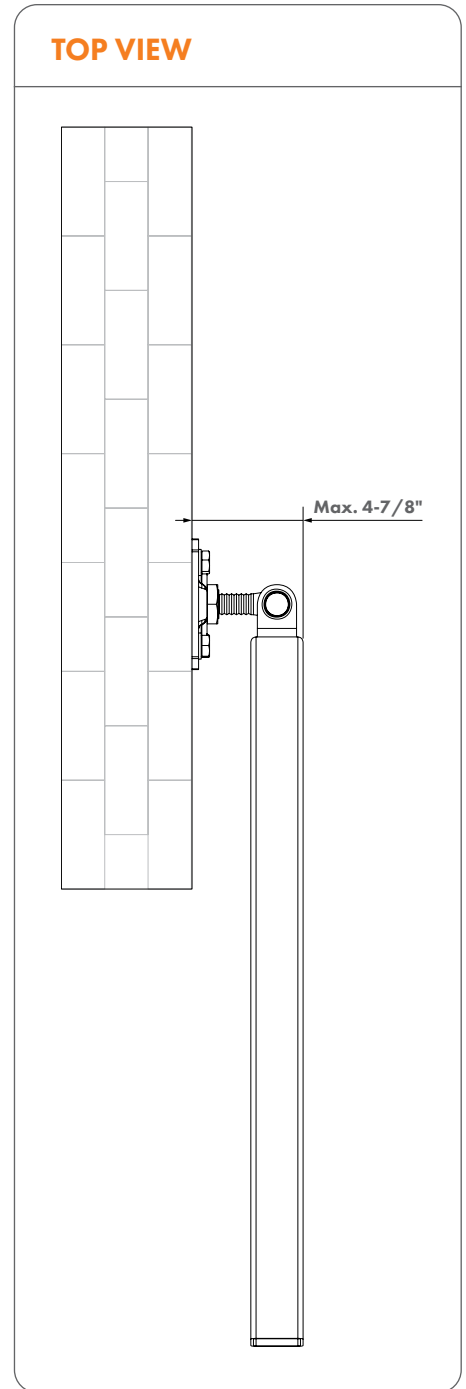
90°



180°



TOP VIEW



INTERIO

CONCEALED, BUILT-IN HYDRAULIC GATE CLOSER



- ✓ Built-in, self-closing hinge up to 125° with adjustable closing speed and final snap
- ✓ Weatherproof aluminum housing designed for exterior use
- ✓ Consistent closing speed thanks to our patented hydraulic damping
- ✓ Vandal and tamper proof
- ✓ ADA compliant (< 5 lbs; max 20 Nm) from gate widths of 3 ft or more
- ✓ Secure, fast and easy attachment using our Quick-Fix mounting bolts
- ✓ Optional sets available for ground and wall installation
- ✓ Recommended with gate stop



INTERIO-9005

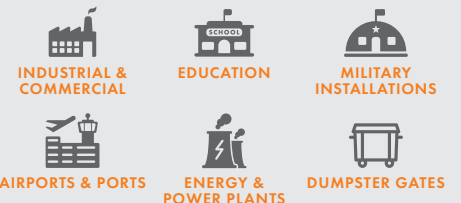
RECOMMENDED APPLICATIONS

- Ornamental steel
- Ornamental aluminum

INSTALLATION

- New or retrofit installations using Locinox Quick-Fix mounting bolts, each with 2,000 lbs holding force
- Installs by inserting into square gate frames of 2" (with wall thickness of less than 0.125); or 2-1/4"; or 2-1/2" (with wall thickness of more than 0.125)
- Aligns with ease using DRILLVISE-II or DRILLVISE-IV install tools (p. 49)
- No welding required
- Reversible for left or right opening gates
- Adjustable closing speed and final snap

RECOMMENDED FOR



INTERIO

Concealed, built-in hydraulic gate closer

SECTION 087160 – Fence & Gate Hardware

PART 1 - GENERAL

1.1 SUMMARY

- Ⓐ Section Includes
 1. Gate Hardware
- Ⓑ Related Sections
 2. Section 02823 – Chain Link Fences and Gates
 3. Section 16200 – Electrical Power
 4. Section 16724 – Security Access Systems
 5. Section 32310 – Fences & Gates

PART 2 - PRODUCTS

2.1 MANUFACTURERS

- Ⓐ Listed acceptable alternate manufacturers: submit for review products with equivalent function and features of scheduled products.

ITEM:	MANUFACTURER:	ACCEPTABLE SUB:
Gate Hinge/Closer	(LOC) Locinox	AS SPEC'D

2.2 GATE CLOSER

- Ⓐ Gate Hinge/Closer: Shall be INTERIO.
 1. The closer shall be a built-in, concealed hinge. Installation by insertion into square gate frames.
 2. The gate closer shall be 100% mechanical (no electronic components).
 3. It shall be possible to adjust the closing speed of the gate by simply adjusting a valve with an Allen key.
 4. It shall be possible to activate a final snap (free run) on the gate closer to ensure the latching of the gate.
 5. It shall be possible to eliminate the final snap (free run) on the gate closer completely in order to have a silent closing (i.e. in combination with magnetic locks).
 6. The closing force shall be adjustable.
 7. The gate closer shall allow for a 125 degrees opening angle of the gate.
 8. When opened 125 degrees, the gate closer should self-close over the 125 degrees.



9. One solution shall provide all the parts to hang (1) gate
10. The gate closer should have a hydraulic dampening mechanism.
11. The gate closer shall have an integrated anti-theft protection system.
12. The gate closer should be designed and manufactured in Europe or in the United States.
13. The gate closer shall be ADA compliant.
14. The gate closer should use rotary seals (vs. linear seals) to ensure the longevity of the closer.
15. The gate closer shall be able to close gates up to 330 lbs and gate width up to 5 ft.
16. The opening pressure of the gate closer shall be between 3 and 5 lbs maximum (15Nm maximum) over the full 125 degrees at a minimum gate width of 3 ft.
17. The gate closer shall be specifically made for outdoor use.
18. The hydraulic dampening shall be guaranteed to work properly under all temperature circumstances without any summer or winter adjustments, measured at a 90° opening. The viscosity of the oil shall have no impact on the performance of the gate closer.
 - A. The closing time shall not be below 10 seconds at 158°F (summer).
 - B. The closing time shall not be longer than 30 seconds at -22°F (winter).
19. The closer shall have been tested for 500,000 movements.
20. The closer shall be maintenance free (no greasing nor oil refill).
21. The mechanism shall be made out stainless steel and aluminum components.
22. The housing of the mechanism shall be made from extruded, powder coated aluminum (no wet painting). The powder coating shall be according to the Qualicoat standards.
23. The gate closer shall have a corrosion resistance of 500h salt spray according to ISO9227.
24. The gate closer shall be fully weather and dust-proof.
25. The gate closer shall have a UV-resistance against discoloration of 500h.

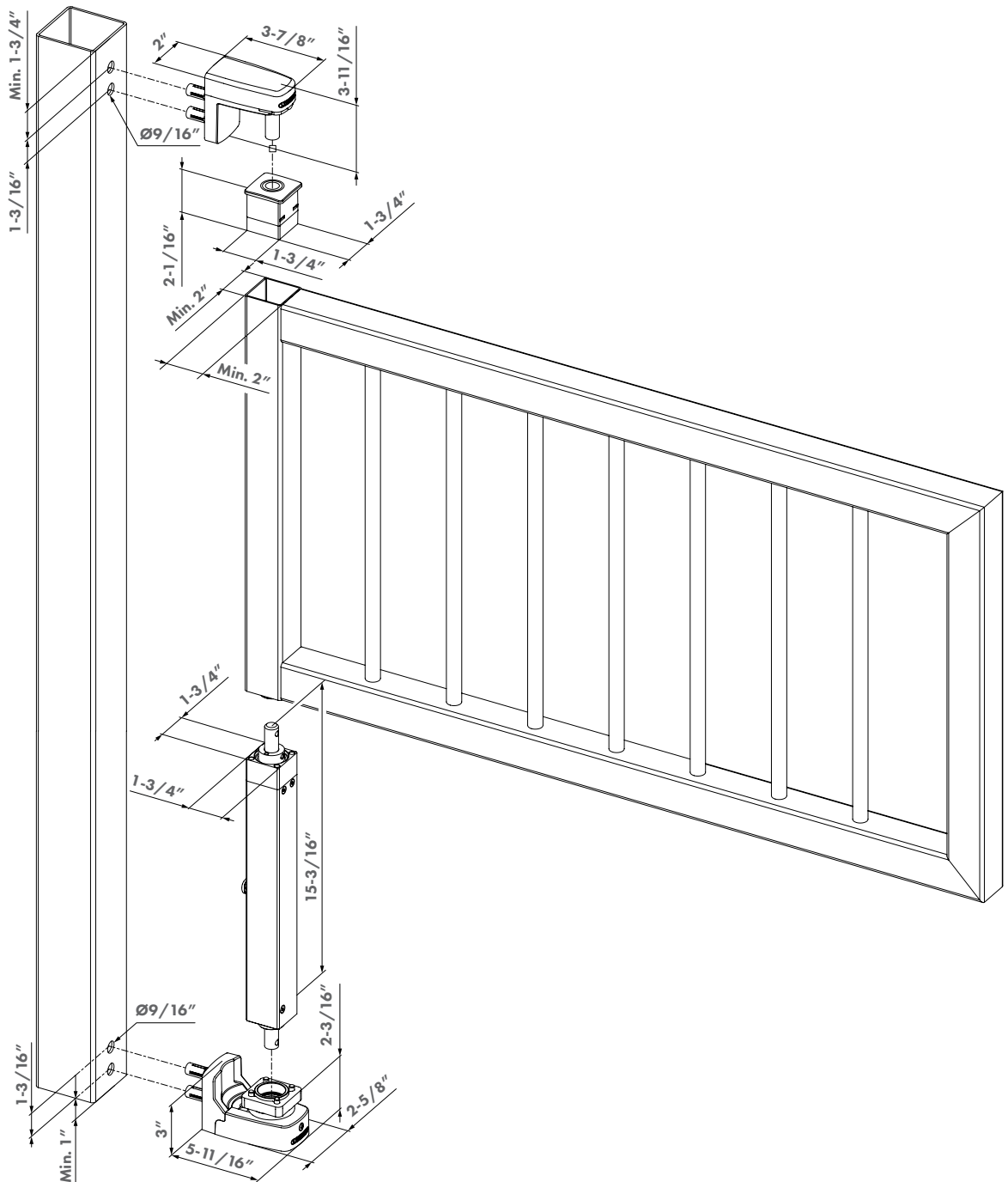
INTERIO

Concealed, built-in hydraulic gate closer

SECTION 087160 – Fence & Gate Hardware



SQUARE frames



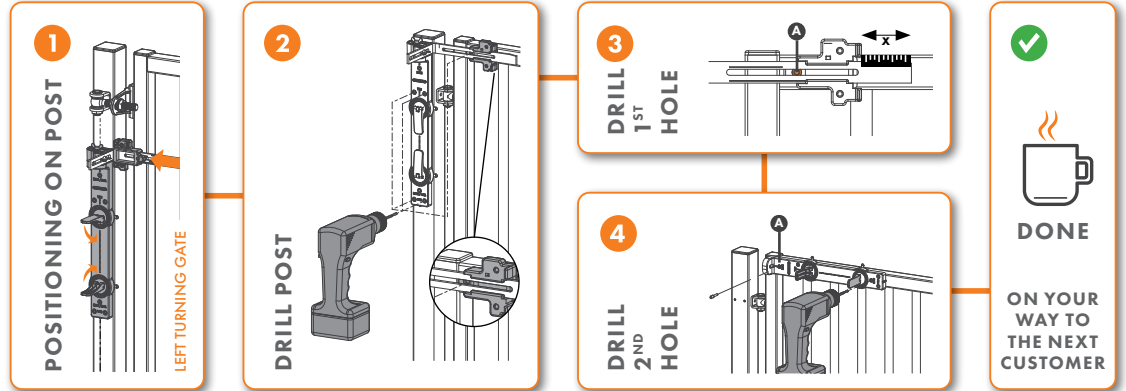
INTERIO

LION-VTC DRILL

ASSEMBLY AND DRILL JIG FOR LION AND VERTICLOSE-2 GATE CLOSERS

- ✓ Sturdy compartmentalized case
- ✓ Spare set with 10 Quick-Fix expanders
- ✓ Includes 2 drill bits Ø5 mm and Ø15 mm

INSTALL IN HALF THE TIME WITH EXTREME ACCURACY



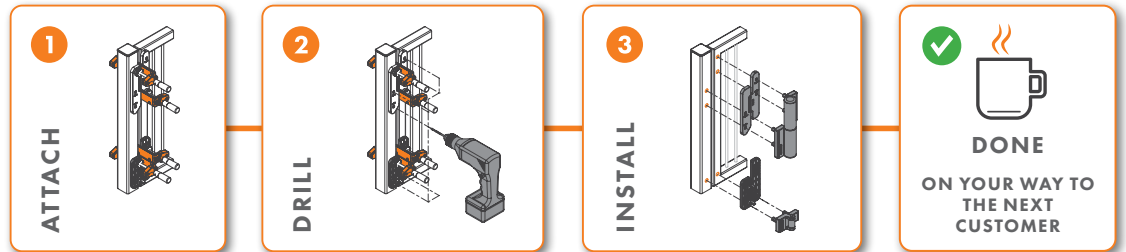
TIGERDRILL

INSTALLATION AND DRILLING JIG FOR TIGER GATE CLOSER

- ✓ Includes 2 drill bits Ø5 mm and Ø15 mm
- ✓ Spare set with 10 Quick-Fix expanders
- ✓ Solid plastic box with compartments for convenient storage
- ✓ Includes accessories for assembly and adjustment of Tiger
- ✓ Recommended to be combined with DRILLWISE-IV



INSTALL IN HALF THE TIME WITH EXTREME ACCURACY



DRILLWISE-2

CLAMP SET FOR GATE FRAME POSITIONING



- ✓ Solid plastic box with compartments for convenient storage
- ✓ 2 special clamps with 1-3/16" to 4-3/4" adjustability with support plates to position gate frames
- ✓ Strong steel clamp with padding to avoid damage

DRILLWISE-4

TOOLBOX WITH 4 LOCINOX CLAMPS



- ✓ Solid plastic box with compartments for convenient storage
- ✓ 4 special clamps with 1-3/16" to 4-3/4" adjustability
- ✓ Strong steel clamp with padding to avoid damage
- ✓ Soft plastic mounting surfaces guarantee a perfect grip without risk of damage

TIGER (p. 21)



SAMSON-2 (p. 27)



LION (p. 32)



VERTICLOSE-2 (p. 37)



Locks

Locinox locks guarantee a perfect operating gate. Every lock is thoroughly tested in our own test center where they are exposed to the most extreme circumstances. This ensures us that our locks will work in all weather conditions. We offer a variety of locks for garden gates, industrial gates or swimming pool gates. Locinox locks - the safest solution in fence protection.



54 Swing gate locks

59 Mechanical code locks



68 Panic exit solutions

69 Accessories

70 Sliding gate locks



LUKY GATE LOCK

IT'S MORE THAN A LOCK. IT'S PEACE OF MIND.



All our locks feature the same modular drilling pattern for maximum ease and flexibility. Upgrading and swapping out locks has never been easier!



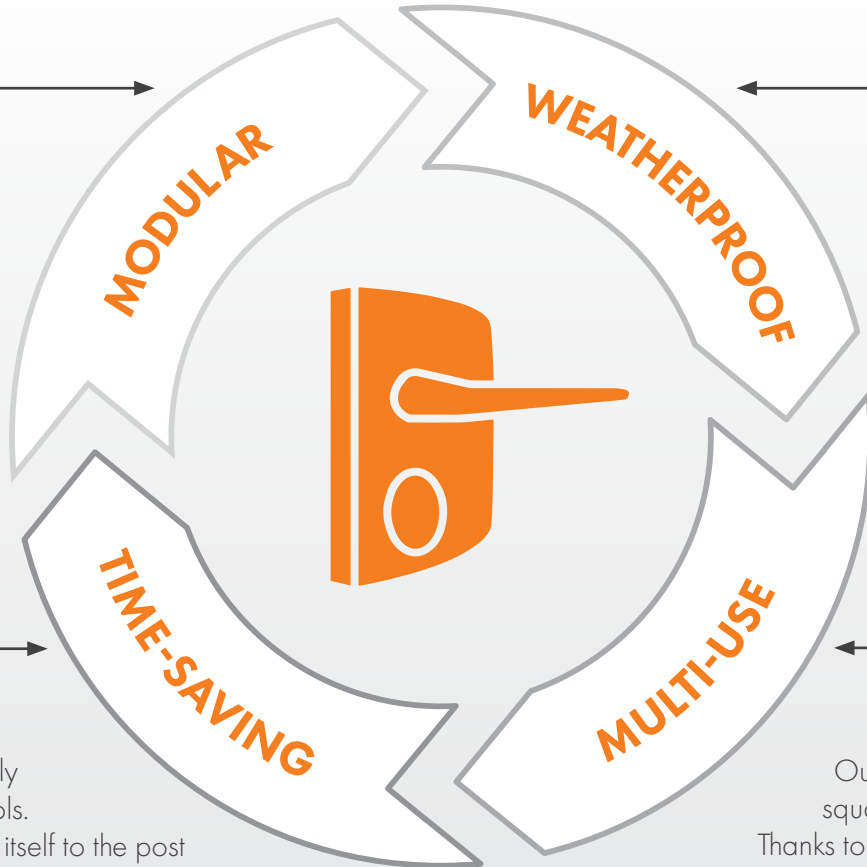
Get the job done quickly thanks to our drilling tools. The Drill-Fix self-centers itself to the post guaranteeing an easy and quick lock installation.



Like all Locinox products, our locks are made with 100% weatherproof components to provide maximum reliability and functionality in all situations.



Our locks attach easily to square and round profiles. Thanks to our new, unique chain link adaptors, the choice is yours.



DRILL-FIX

TOOL CASE WITH JIG FOR SURFACE MOUNTED LOCKS AND CORRESPONDING KEEPS

- ✓ Tool case with self-centering drilling tool for fast assembly of Locinox surface mounted gate locks and keeps
- ✓ Drill jig can be used for round, square or rectangular profiles from 1-1/4" up to 3"
- ✓ Includes 3 drill bits (Ø9,5 mm, Ø15 mm, Ø18 mm)
- ✓ Useful for installation of Locinox bolt-on locks and keeps in 4 easy steps
- ✓ Includes LA Locitool
- ✓ Includes Allen Key and positioning pin



1 INSTALLATION METHOD FOR ALL OUR LOCKS



LUKY J5

SURFACE MOUNTED US MORTISE CYLINDER GATE LOCK



- ✓ ISO 9227 KTL / E-coated lock box withstands 1000 hours of salt spray test
- ✓ Gate lock with double cylinder dead bolt. Designed for 1-1/8" mortise profile cylinder
- ✓ Thread size: 1.150 x 32 UNS – Cylinder face: 1.360" (34.5mm) diameter
- ✓ Rekeyable cylinder 1-1/8" Schlage C-keyway 5pin (drilled 6pin) – AR Cam
- ✓ Throw of the deadbolt, 7/8" in 1 turn of the key
- ✓ Key-operated self-latching bolt, allows Free Exit application
- ✓ Adjustment of the bolts up to 3/8" continuous without dismantling the lock box
- ✓ 4-hole mounting with two hex head socket screws
- ✓ The lock box requires a 3-3/8" spacing to the first picket, fitting nicely into most gates



LUKY J5-9005



LUKY J5-ZILV

RECOMMENDED APPLICATIONS

- Ornamental steel
- Ornamental aluminum
- Galvanized/Steel chain link
- For wood and vinyl installations, please contact the manufacturer

INSTALLATION

- Quick & easy bolt-on installation
- No welding required!
- Reversible for either side of the gate
- Spacing needed to insert lock: 3-3/8"
- Easily adjusts up to 3/8" for the bolts without dismantling the lock box
- 4-hole mounting with two hex head socket screws
- Deadbolt adjustable by 7/8" in 1 turn of the key
- Easily installs on square or round posts using the lock adaptor plate

RECOMMENDED FOR





LUKY

Compact 90° or 180° retrofit gate closer for gates up to 165 lbs

SECTION 087160 – Fence & Gate Hardware

PART 1 - GENERAL

1.1 SUMMARY

- Ⓐ Section Includes
 1. Gate Hardware
- Ⓑ Related Sections
 2. Section 02823 – Chain Link Fences and Gates
 3. Section 16200 – Electrical Power
 4. Section 16724 – Security Access Systems
 5. Section 32310 – Fences & Gates

PART 2 - PRODUCTS

2.1 MANUFACTURERS

- Ⓐ Listed acceptable alternate manufacturers: submit for review products with equivalent function and features of scheduled products

ITEM:	MANUFACTURER:	ACCEPTABLE SUB:
Gate Locks	(LOC) Locinox	AS SPEC'D

2.2 GATE LOCK

- Ⓐ Gate Lock: Shall be LUKY J5.
 1. The gate lock shall have a double cylinder dead bolt and be designed for a Mortise profile cylinder.
 2. It shall be possible to change day bolt for left-handed gates.
 3. It shall be possible to throw the deadbolt 7/8" in one turn of the key.
 4. The handles (levers) on the gate lock shall be replaceable or removable.
 5. The gate lock shall allow Free Exit application with key-operated, self-latching bolt.
 6. The gate lock shall be available in either a black or silver color.
 7. The gate lock shall be specifically made for outdoor use.
 8. The gate lock shall have been tested for 500,000 movements.

9. The gate lock shall be maintenance free (no greasing).
10. The lock mechanism shall be made out stainless steel and aluminum components.
11. The housing of the lock mechanism shall be made from extruded, powder coated aluminum (no wet painting or anodization). The powder coating shall be according to the Qualicoat standards.
12. The gate lock shall have a corrosion resistance of 500h salt spray according to ISO9227.
13. The gate lock shall be fully weather and dustproof.
14. The gate lock shall have a UV-resistance against discoloration of 500h.
15. The gate lock shall be applicable to square frames or to round frames by using round adaptor plates.



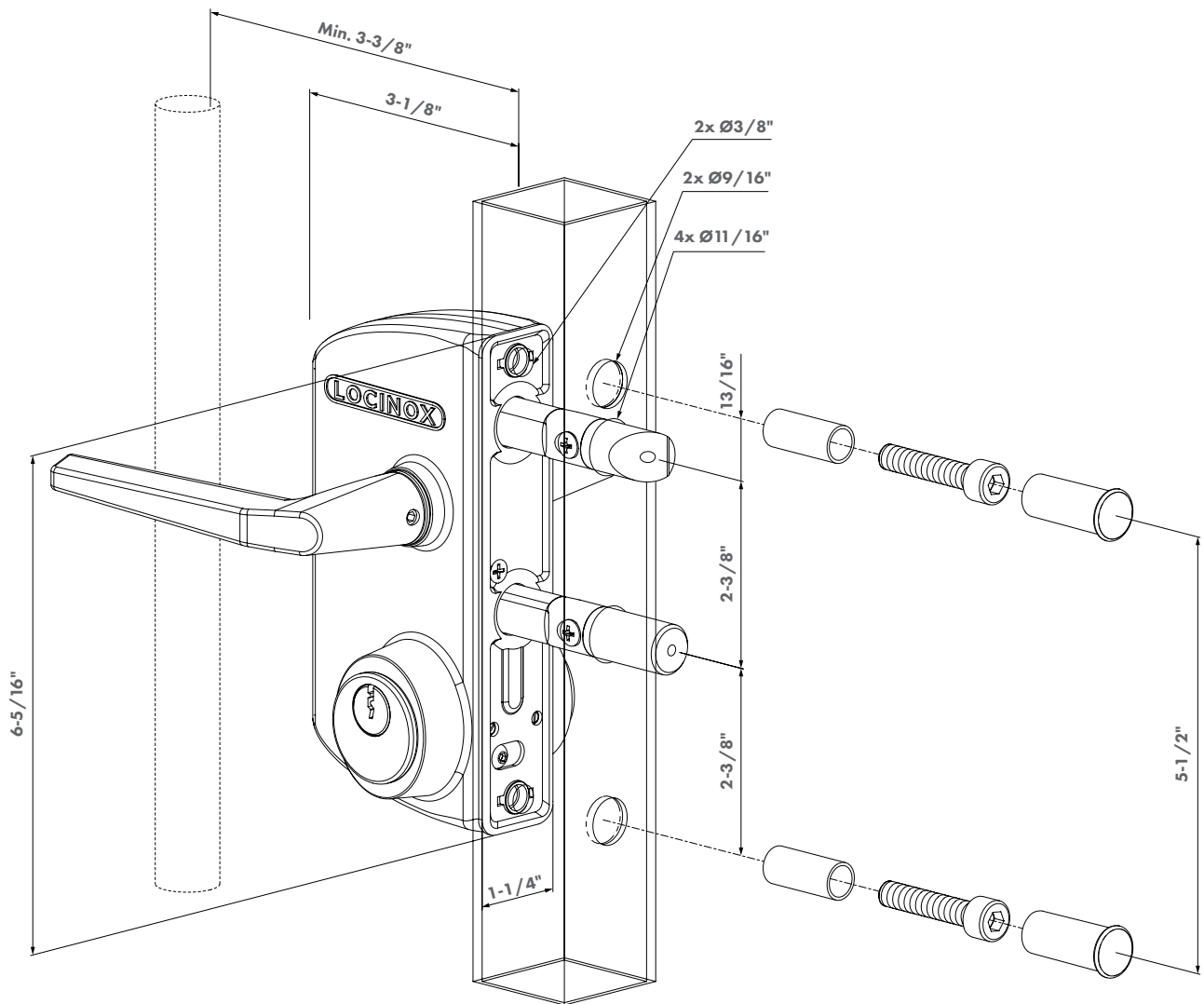
LUKY

Compact 90° or 180° retrofit gate closer for gates up to 165 lbs

SECTION 087160 – Fence & Gate Hardware



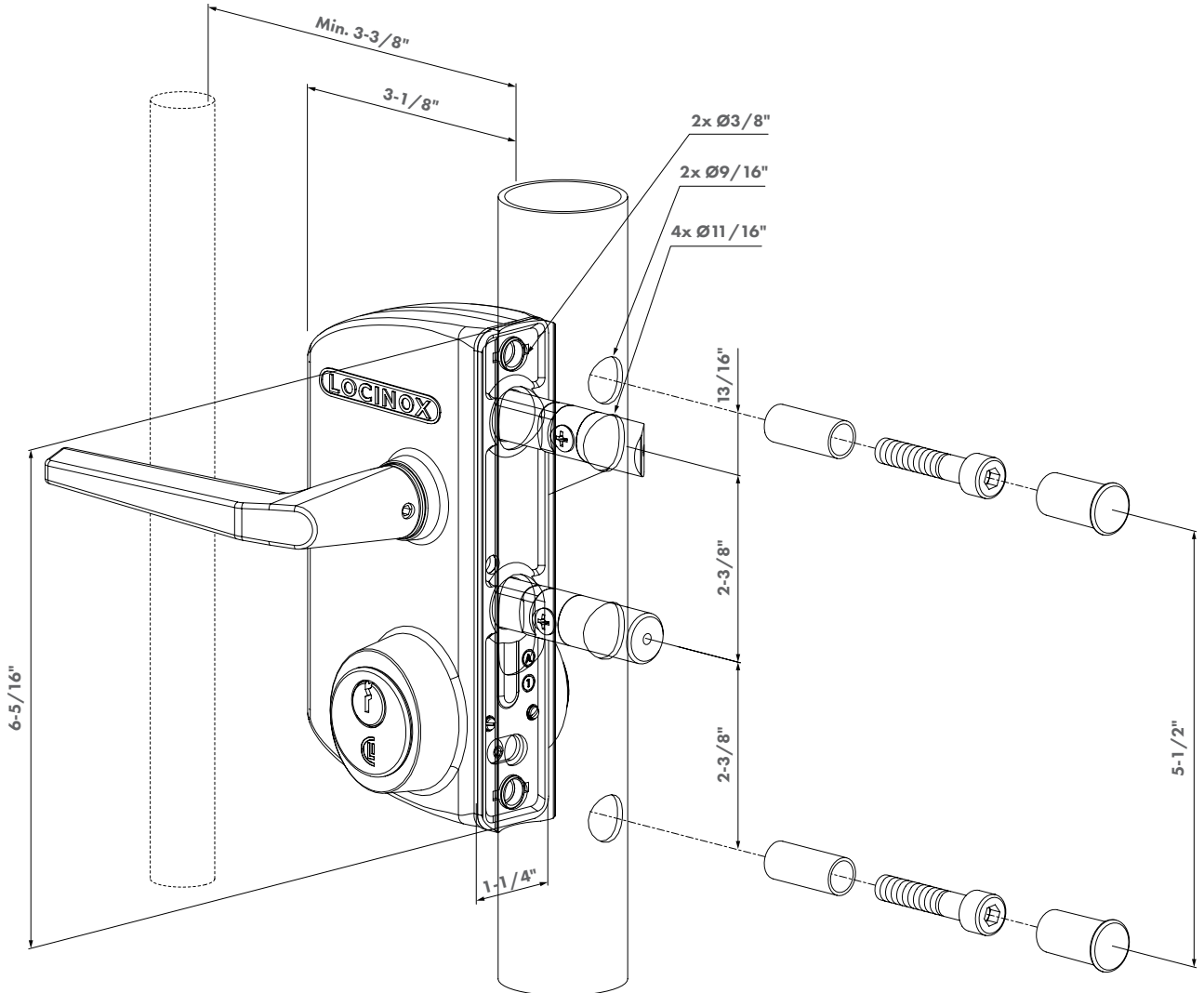
SQUARE frames





ROUND frames

LUKY



VINCI - LMKQ

SURFACE MOUNTED MECHANICAL CODE LOCK



- ✓ ISO 9227 KTL / E-coated lock box withstands 1000 hours of salt spray test
- ✓ Operational code panel on both sides
- ✓ Independent entrance and exit codes
- ✓ Polyamide rain and dust cover
- ✓ Easy and fast set-up or modification of the access codes
- ✓ With adjustable rollerbolt for easy closing
- ✓ Extremely strong and user-friendly mechanism
- ✓ Automatic code reset after opening by means of the handle



9005



ZILV

VINCI - LMKQ-9005

VINCI - LMKQ-ZILV

FREE VINCI - LFKQ

SURFACE MOUNTED MECHANICAL CODE LOCK WITH SECURED ENTRANCE AND FREE EXIT



- ✓ ISO 9227 KTL / E-coated lock box withstands 1000 hours of salt spray test
- ✓ Operational code panel on both sides
- ✓ Independent entrance and exit codes
- ✓ Polyamide rain and dust cover
- ✓ Easy and fast set-up or modification of the access codes
- ✓ With adjustable rollerbolt for easy closing
- ✓ Extremely strong and user-friendly mechanism
- ✓ Automatic code reset after opening by means of the handle



9005



ZILV

FREE VINCI-LFKQ-9005

FREE VINCI-LFKQ-ZILV

VINCI - LFKQ

Surface mounted mechanical code lock

SECTION 087160 – Fence & Gate Hardware

PART 1 - GENERAL

1.1 SUMMARY

- Ⓐ Section Includes
 1. Gate Hardware
- Ⓑ Related Sections
 2. Section 02823 – Chain Link Fences and Gates
 3. Section 16200 – Electrical Power
 4. Section 16724 – Security Access Systems
 5. Section 32310 – Fences & Gates

PART 2 - PRODUCTS

2.1 MANUFACTURERS

- Ⓐ Listed acceptable alternate manufacturers: submit for review products with equivalent function and features of scheduled products

ITEM:	MANUFACTURER:	ACCEPTABLE SUB:
Gate Locks	(LOC) Locinox	AS SPEC'D

2.2 GATE LOCK

- Ⓐ Gate Lock: Shall be LMKQ - VINCI.
 1. The gate lock shall have an operational code panel on both sides.
 2. It shall have independent entrance and exit codes.
 3. It shall be completely mechanical (no electronic components)
 4. It shall have an adjustable roller bolt for easy closing.
 5. It shall have an automatic code reset after opening by means of the handle.
 6. The gate lock should be designed and manufactured in Europe or in the United States.
 7. The gate lock shall have a polyamide rain and dust cover.
 8. The gate lock shall be available in either a black or silver color.



9. The gate lock shall be specifically made for outdoor use.
10. The gate lock shall have been tested for 500,000 movements.
11. The gate lock shall be maintenance free (no greasing or rewelding).
12. The lock mechanism shall be made of stainless steel and aluminum components.
13. The housing of the lock mechanism shall be made from extruded, powder coated aluminum (no wet painting or anodization). The powder coating shall be according to the Qualicoat standards.
14. The gate lock shall have a corrosion resistance of 500h salt spray according to ISO9227.
15. The gate lock shall be fully weather and dustproof.
16. The gate lock shall have a UV-resistance against discoloration of 500h.

VINCI - LMKQ

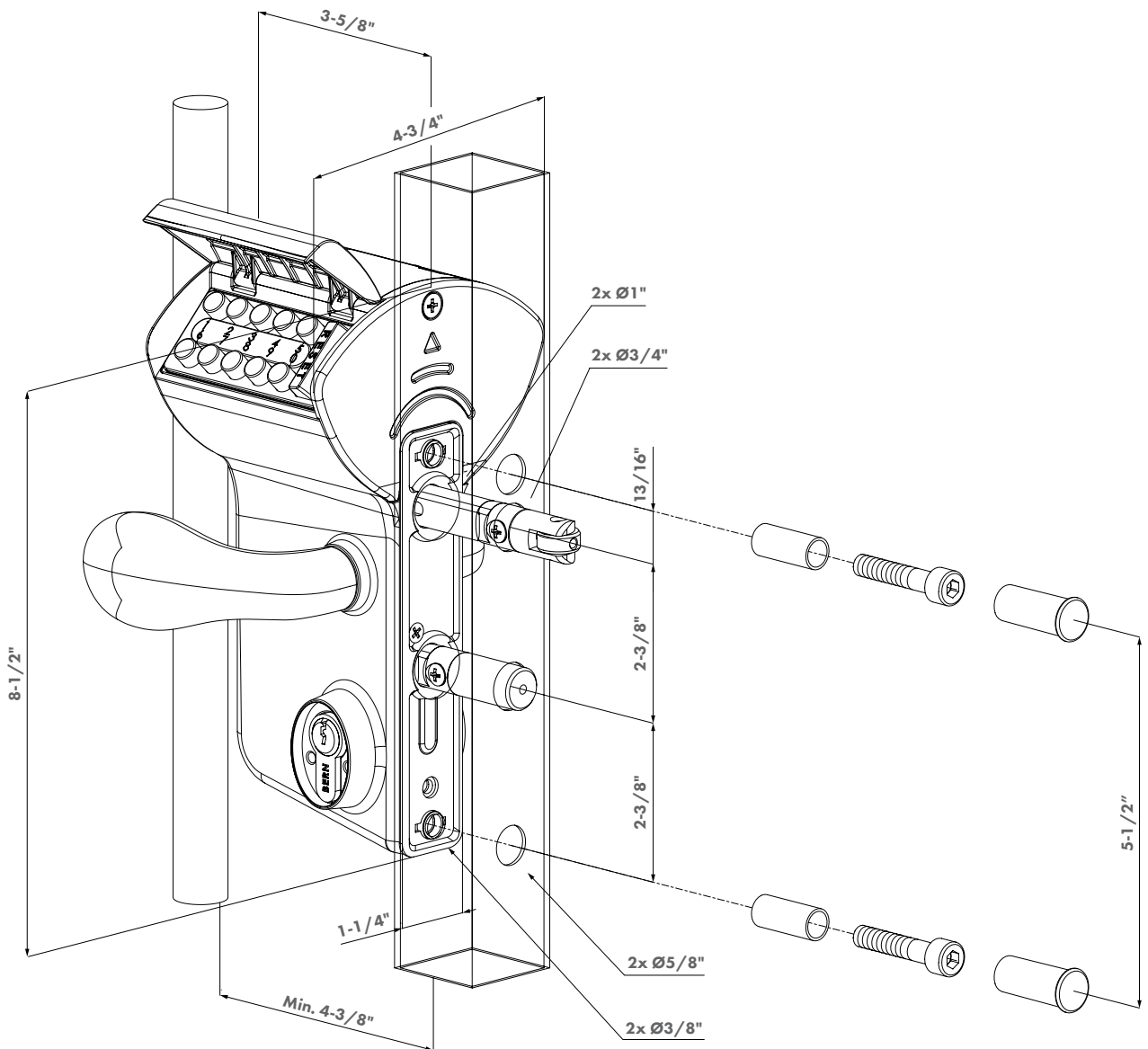
Surface mounted mechanical code lock

SECTION 087160 – Fence & Gate Hardware



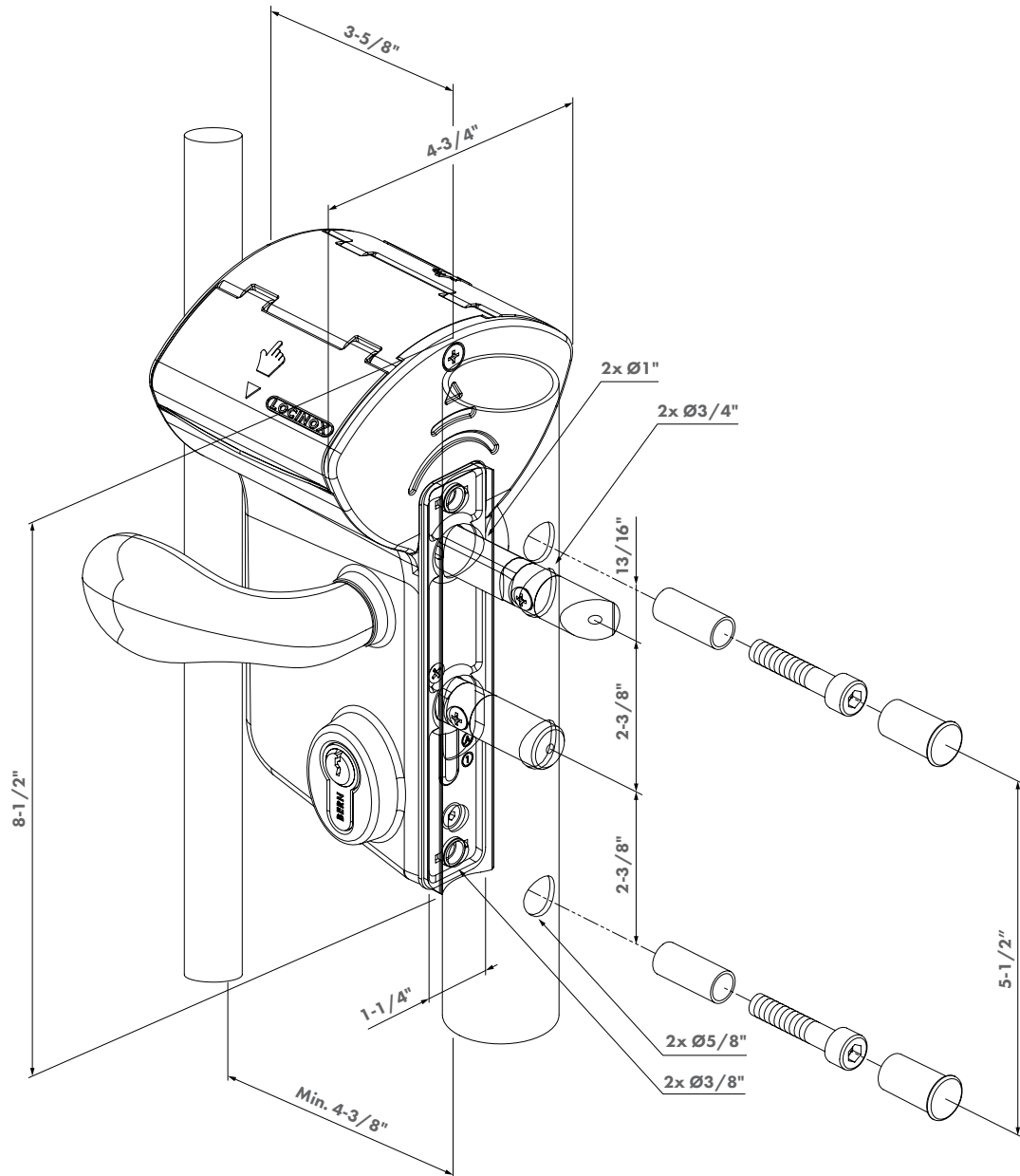
SQUARE frames

VINCI - LFKQ





ROUND frames



FREE VINCI - LFKQ

Surface mounted mechanical code lock with secured entrance and Free Exit

SECTION 087160 – Fence & Gate Hardware

PART 1 - GENERAL

1.1 SUMMARY

- Ⓐ Section Includes
 1. Gate Hardware
- Ⓑ Related Sections
 2. Section 02823 – Chain Link Fences and Gates
 3. Section 16200 – Electrical Power
 4. Section 16724 – Security Access Systems
 5. Section 32310 – Fences & Gates

PART 2 - PRODUCTS

2.1 MANUFACTURERS

- Ⓐ Listed acceptable alternate manufacturers: submit for review products with equivalent function and features of scheduled products

ITEM:	MANUFACTURER:	ACCEPTABLE SUB:
Gate Locks	(LOC) Locinox	AS SPEC'D

2.2 GATE LOCK

- Ⓐ Gate Lock: Shall be FREE VINCI – LFKQ.
 1. The gate lock shall have an operational code panel on one side, and Free Exit on the other.
 2. It shall be completely mechanical (no electronic components)
 3. It shall have an adjustable roller bolt for easy closing.
 4. It shall have an automatic code reset after opening by means of the handle.
 5. The gate lock shall require no welding as to preserve the gate and as to avoid any re-welding or powder coating of the gate
 6. The gate lock shall have a left or right changing self-latching daybolt.
 7. The gate lock should be designed and manufactured in Europe or in the United States.
 8. The gate lock shall have an anti-code detection with integrated security press plate.



9. The gate lock shall have a polyamide rain and dust cover.
10. The gate lock shall be available in either a black or silver color.
11. The gate lock shall be specifically made for outdoor use.
12. The gate lock shall have been tested for 500,000 movements.
13. The gate lock shall be maintenance free (no greasing or rewelding).
14. The lock mechanism shall be made of stainless steel and aluminum components.
15. The housing of the lock mechanism shall be made from extruded, powder coated aluminum (no wet painting or anodization). The powder coating shall be according to the Qualicoat standards.
16. The gate lock shall have a corrosion resistance of 500h salt spray according to ISO9227.
17. The gate lock shall be fully weather and dustproof.
18. The gate lock shall have a UV-resistance against discoloration of 500h.

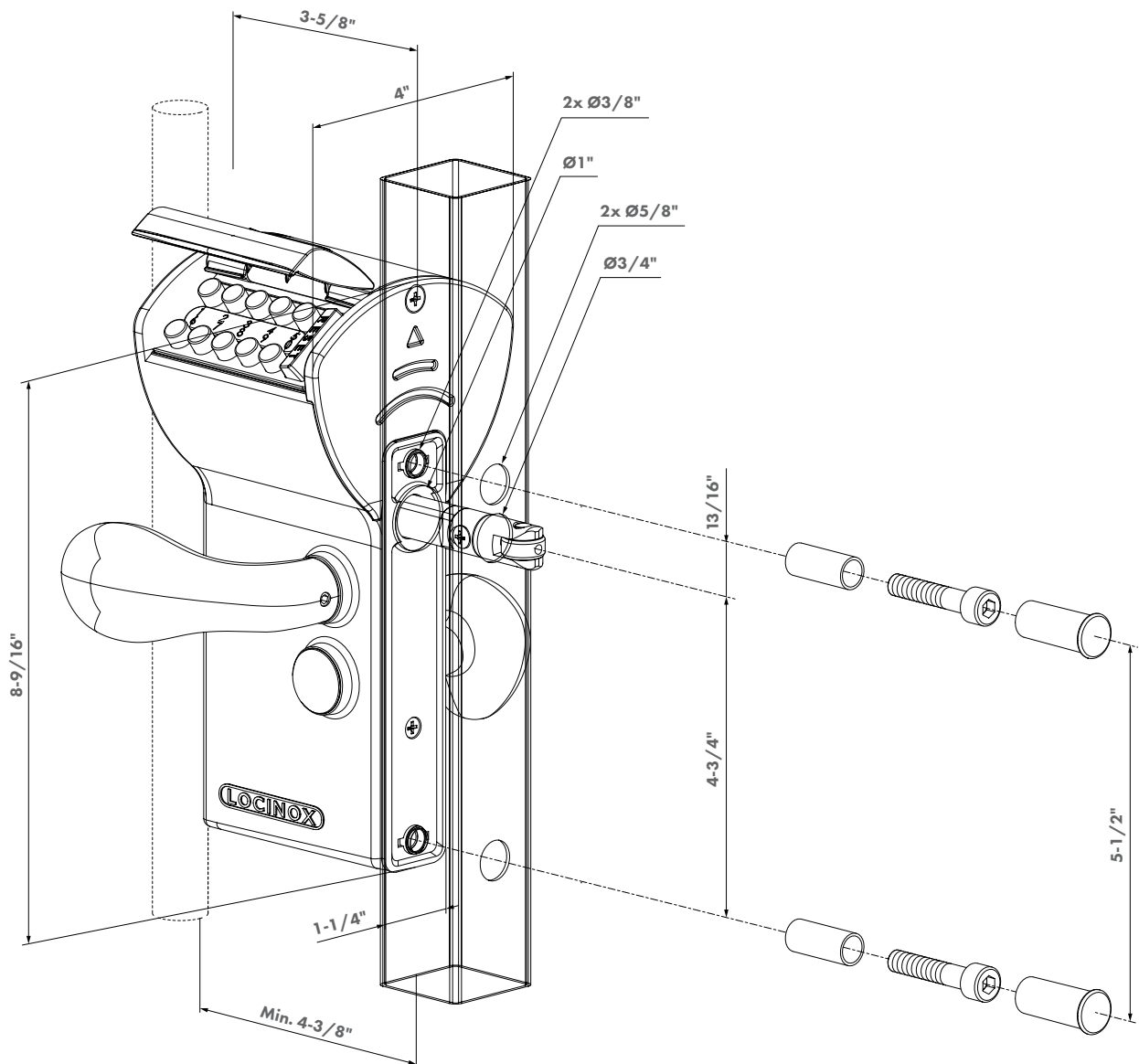
FREE VINCI - LFKQ

Surface mounted mechanical code lock with secured entrance and Free Exit

SECTION 087160 – Fence & Gate Hardware



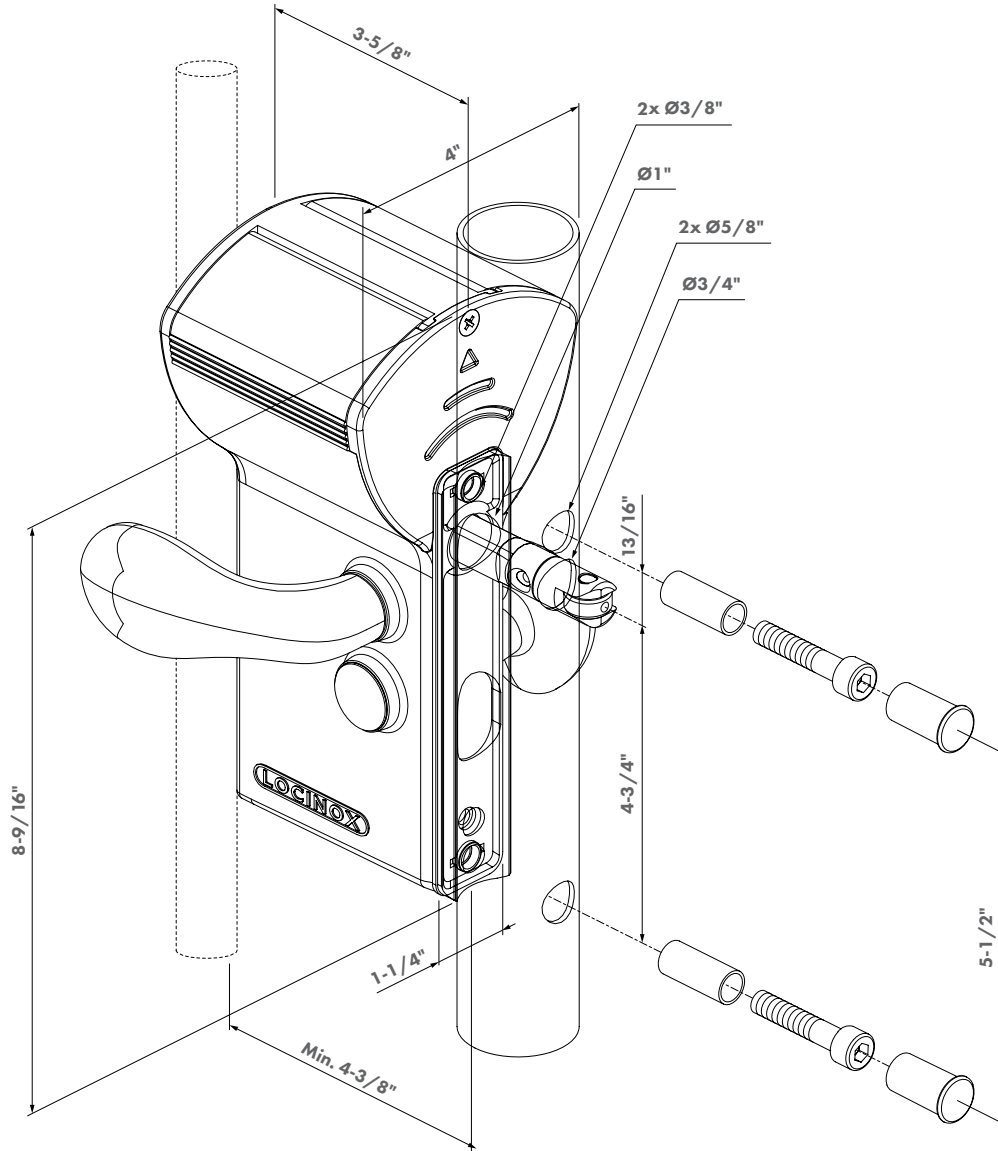
SQUARE frames



FREE VINCI



ROUND frames



PUSHBAR-L

PANIC RELEASE BAR FOR LOCKS



- ✓ Black powder coated aluminum push bar with stainless steel mechanism
- ✓ Fast and easy installation with Quick-Fix
- ✓ For left and right turning gates
- ✓ Blinded 5/16" follower included
- ✓ Possible to combine with half handle sets with 5/16" follower
- ✓ Maximum gate width: 5 ft for 55-1/8" version



9005

PUSHBAR-L-1400

3006PUSH

FREE EXIT PUSH PAD



- ✓ The set is adaptable on all surface mounted Locinox locks with aluminum U-lock box
- ✓ The 3006PUSH replaces the handles
- ✓ Facilitates the opening of the gate



ZILV

3006PUSH-ZILV

SAKL/SHKL/SF KEEP

ADJUSTABLE SECURITY KEEP OUT OF STAINLESS STEEL



- ✓ Stainless steel keep with polyamide finishing
- ✓ Stop plate in extruded aluminum with rubber strip
- ✓ Easy left or right hand changing
- ✓ Innovative Quick-Fix mounting
- ✓ Adjustable for profiles: 1-1/2" to 2-1/2"
- ✓ Min. gap 1-1/4" for SA/SH, 3/8" for SF
- ✓ For rectangular and round profiles

SHIELD

ANTI-THEFT PROTECTION PLATES



- ✓ Vandal-proof protection plate
- ✓ Compatible with Locinox surface mounted locks
- ✓ Serves as a pick plate - use for extra security
- ✓ Shield can easily be mounted on the surface mounted lock and is available for gate frames of 1-1/2" to 2-1/2"
- ✓ Can be combined with keeps and Modulec strike

SHIELD-9005

9005

SHIELD-Z1LV

ALUM

FAST & EASY INSTALLATION ON CHAIN LINK!

6403

ADAPTOR PLATE FOR SH KEEPS



3019LA

ADAPTOR PLATE FOR LA AND LS LOCKS



3018LA

ADAPTOR PLATE FOR SA KEEPS



3018MOD

ADAPTER FOR MODULEC SA OR SH



CLH-LA

CHAIN LINK TENSION BAR FOR LOCKS



CLH-CO

CHAIN LINK TENSION BAR FOR CODE LOCKS



LSKZ

SURFACE MOUNTED SLIDING GATE LOCK



- ✓ ISO 9227 KTL / E-coated lock box withstands 1000 hours of salt spray test
- ✓ Chassis, mechanism and Twistfinger in stainless steel
- ✓ Adjustable for horizontal or vertical mounting of the keep (catch bolt)
- ✓ Mounting with 2 hex head socket screws
- ✓ Innovative closing system
- ✓ Stainless steel collar around the Twistfinger prevents cutting through the Twistfinger (catch bolt)
- ✓ Standard with reinforced aluminum handle pair
- ✓ 3006S: Square 5/16" shaft



9005



ZILV

LSKZ-9005

LSKZ-ZILV

LEONARDO - LLKZ

MECHANICAL CODE LOCK FOR SLIDING GATES



- ✓ 100% mechanical: no battery or electricity required
- ✓ Adjustable for horizontal or vertical mounting of the keep (catch bolt)
- ✓ Operational code panel on both sides
- ✓ Independent entrance and exit codes
- ✓ Equipped with dust and rain covers
- ✓ Easy and fast set-up or modification of the access codes
- ✓ Accepts 4 to 6 digit code combinations
- ✓ Extremely strong and user-friendly mechanism
- ✓ Automatic code reset after opening by means of the handle
- ✓ Anti-code detection with integrated security press plate



9005



ZILV

LLKZ-9005

LLKZ-ZILV



LSKZ

Surface mounted sliding gate lock

SECTION 087160 – Fence & Gate Hardware

PART 1 - GENERAL

1.1 SUMMARY

- Ⓐ Section Includes
 1. Gate Hardware
- Ⓑ Related Sections
 2. Section 02823 – Chain Link Fences and Gates
 3. Section 16200 – Electrical Power
 4. Section 16724 – Security Access Systems
 5. Section 32310 – Fences & Gates

PART 2 - PRODUCTS

2.1 MANUFACTURERS

- Ⓐ Listed acceptable alternate manufacturers: submit for review products with equivalent function and features of scheduled products

ITEM:	MANUFACTURER:	ACCEPTABLE SUB:
Gate Locks	(LOC) Locinox	AS SPEC'D

2.2 GATE LOCK

- Ⓐ Gate Lock: Shall be LSKZ.
 1. The gate lock shall have a stainless steel chassis, mechanism, and Twistfinger.
 2. It shall be completely mechanical (no electronic components)
 3. It shall have an adjustable roller bolt for easy closing.
 4. It shall have an automatic code reset after opening by means of the handle.
 5. The gate lock shall have a left or right changing self-latching daybolt.
 6. The gate lock should be designed and manufactured in Europe or in the United States.
 7. The gate lock shall have an anti-code detection with integrated security press plate.
 8. The gate lock shall have a polyamide rain and dust cover.

9. The gate lock shall be available in either a black or silver color.
10. The gate lock shall be specifically made for outdoor use.
11. The gate lock shall have been tested for 500,000 movements.
12. The gate lock shall be maintenance free (no greasing or rewelding).
13. The lock mechanism shall be made out stainless steel and aluminum components.
14. The housing of the lock mechanism shall be made from extruded, powder coated aluminum (no wet painting or anodization). The powder coating shall be according to the Qualicoat standards.
15. The gate lock shall have a corrosion resistance of 500h salt spray according to ISO9227.
16. The gate lock shall be fully weather and dustproof.
17. The gate lock shall have a UV-resistance against discoloration of 500h.

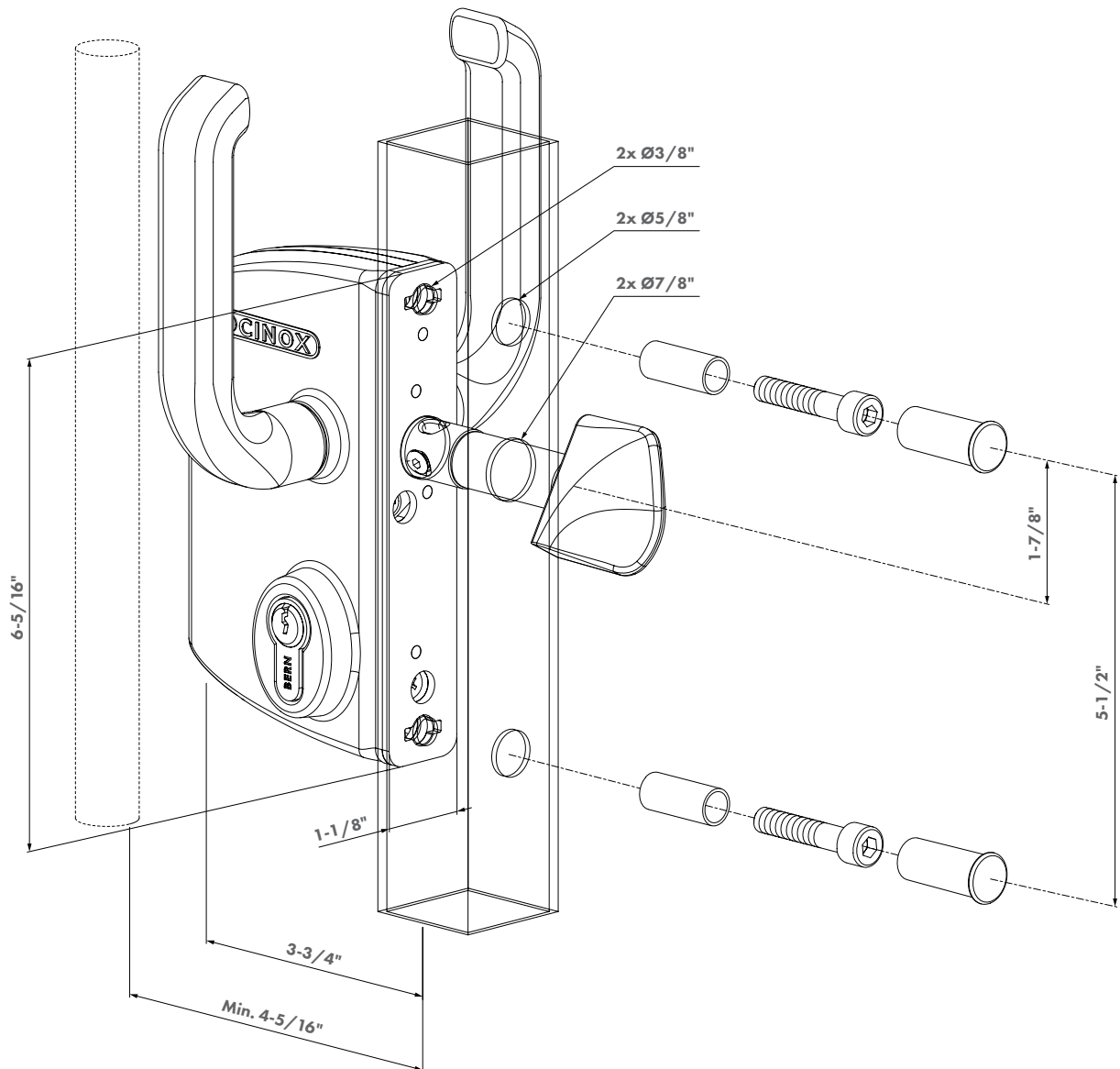
LSKZ

Surface mounted sliding gate lock

SECTION 087160 – Fence & Gate Hardware



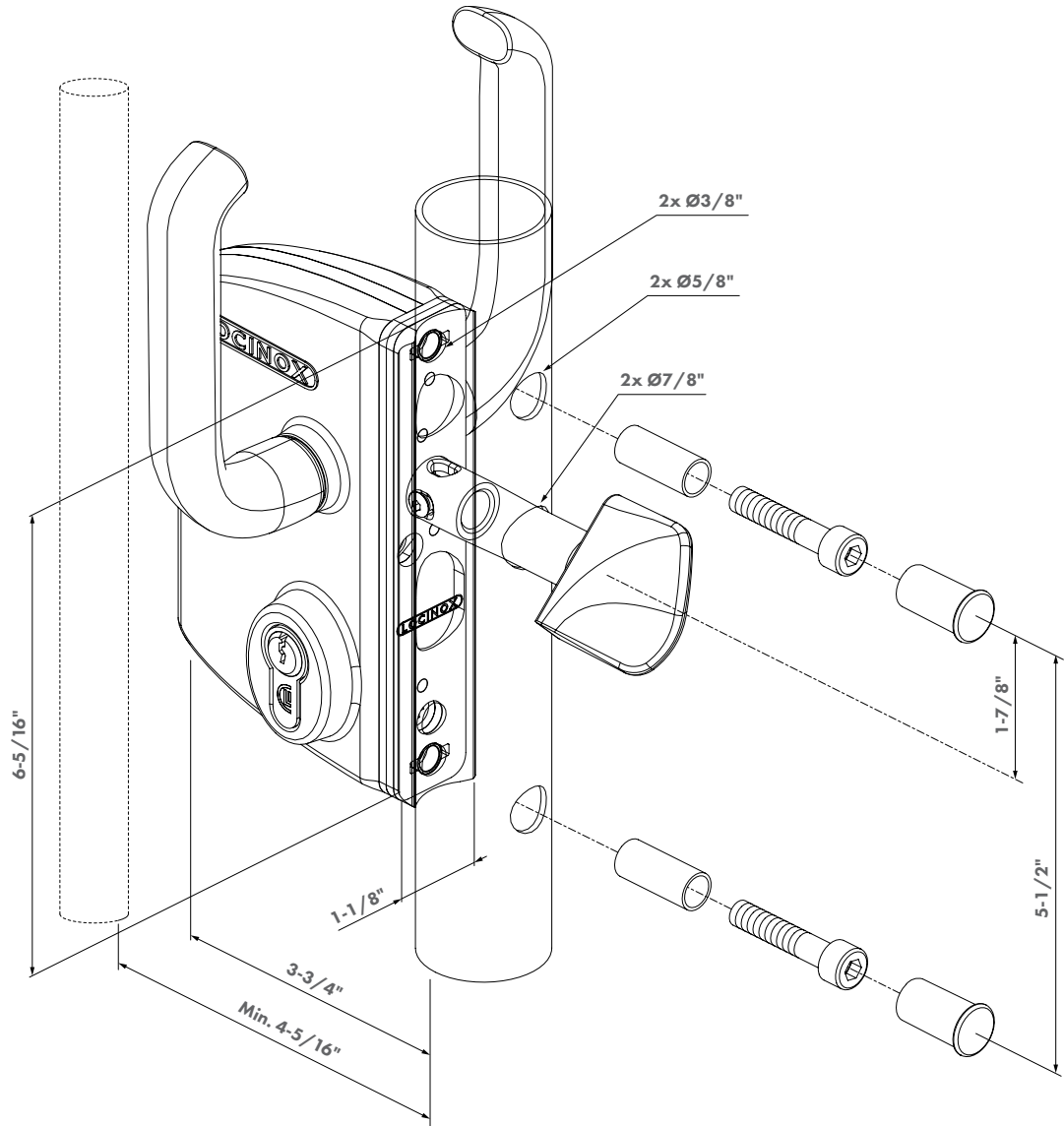
SQUARE frames





ROUND frames

LSKZ





LEONARDO - LLKZ

Mechanical code lock for sliding gates

SECTION 087160 – Fence & Gate Hardware

PART 1 - GENERAL

1.1 SUMMARY

- Ⓐ Section Includes
 1. Gate Hardware
- Ⓑ Related Sections
 2. Section 02823 – Chain Link Fences and Gates
 3. Section 16200 – Electrical Power
 4. Section 16724 – Security Access Systems
 5. Section 32310 – Fences & Gates

PART 2 - PRODUCTS

2.1 MANUFACTURERS

- Ⓐ Listed acceptable alternate manufacturers: submit for review products with equivalent function and features of scheduled products

ITEM:	MANUFACTURER:	ACCEPTABLE SUB:
Gate Locks	(LOC) Locinox	AS SPEC'D

2.2 GATE LOCK

- Ⓐ Gate Lock: Shall be LEONARDO - LLKZ.
 1. The gate lock shall have an operational code panel on both sides.
 2. It shall have independent entrance and exit codes.
 3. It shall be completely mechanical (no electronic components)
 4. It shall have an adjustable roller bolt for easy closing.
 5. It shall have an automatic code reset after opening by means of the handle.
 6. The gate lock should be designed and manufactured in Europe or in the United States.
 7. The gate lock shall have a polyamide rain and dust cover.
 8. The gate lock shall be available in either a black or silver color.

9. The gate lock shall be specifically made for outdoor use.
10. The gate lock shall have been tested for 500,000 movements.
11. The gate lock shall be maintenance free (no greasing or rewelding).
12. The lock mechanism shall be made out stainless steel and aluminum components.
13. The housing of the lock mechanism shall be made from extruded, powder coated aluminum (no wet painting or anodization). The powder coating shall be according to the Qualicoat standards.
14. The gate lock shall have a corrosion resistance of 500h salt spray according to ISO9227.
15. The gate lock shall be fully weather and dustproof.
16. The gate lock shall have a UV-resistance against discoloration of 500h.

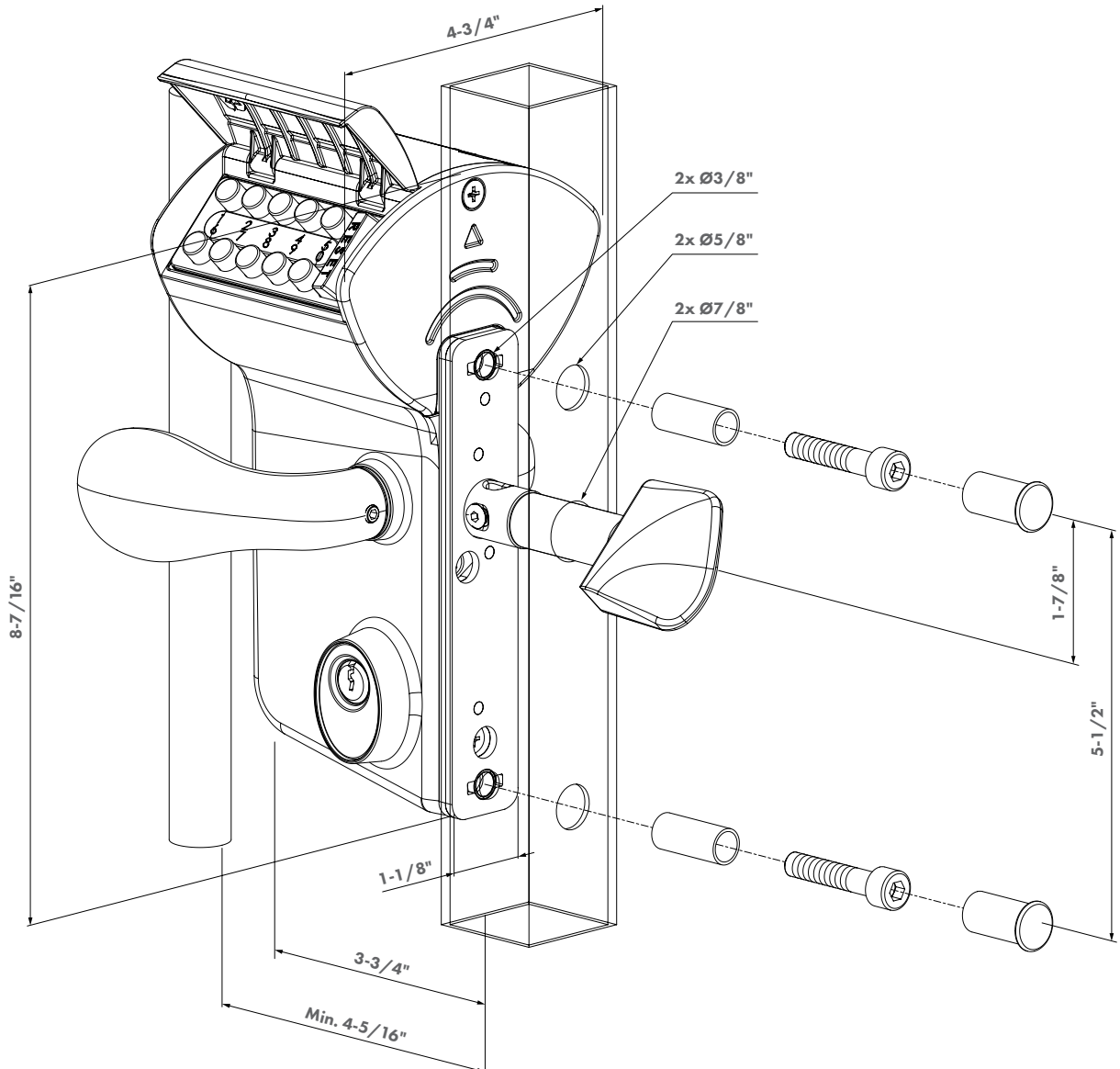
LEONARDO - LLKZ

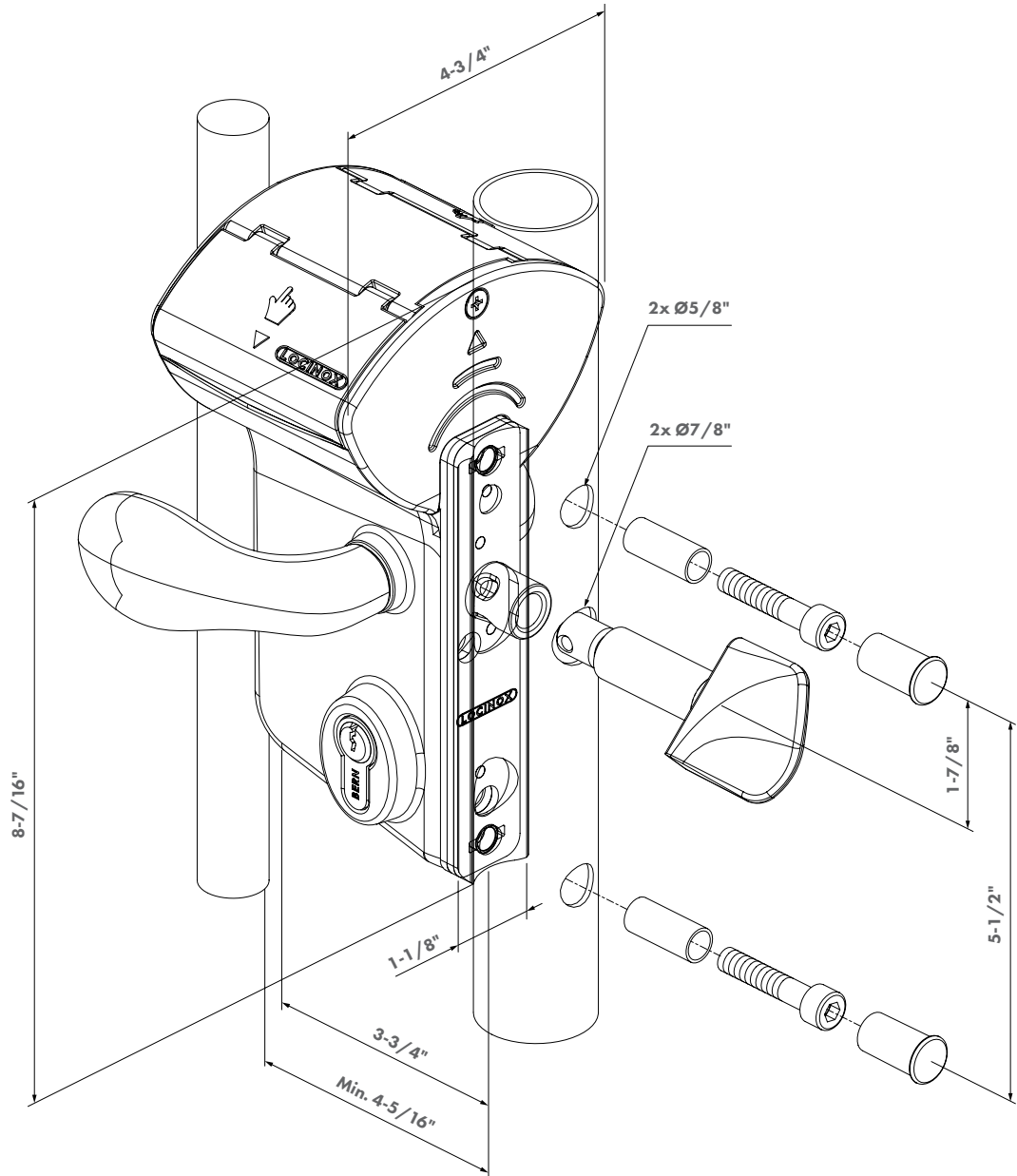
Mechanical code lock for sliding gates

SECTION 087160 – Fence & Gate Hardware



SQUARE frames





Automation & Electronics

Automation has become a fundamental factor in the fence & gate sector. Locinox offers a wide range of solutions to support user-friendly smart gates and fences.



81 Keypads



85 Electric strikes

89 Electromagnetic locks

95 Electrical drop bolts



97 Electrical accessories

B-MAG ELECTROMAGNETIC
LOCK (p. 93) AND **LION**
HYDRAULIC GATE CLOSER (p. 32)



SLIMSTONE

STURDY WEATHER-RESISTANT KEYPAD WITH INTEGRATED RELAY



- ✓ IP68 rated - Extremely resistant to water and dust
- ✓ Aluminum vandal-proof housing with scratch-resistant textured lacquer
- ✓ Energy efficient adjustable white led lights
- ✓ Available with 1 or 2 relays
- ✓ Highly resistant stainless steel push buttons tested for 1,000,000 pushes and more
- ✓ Easy programming of up to 100 user codes
- ✓ Smart heating element guarantees frost-free use
- ✓ Tested from -22°F to 185°F
- ✓ Adjustable time range between pulse and timer mode (100ms - 99s)
- ✓ Voltage: 10 up to 26 V AC/DC
- ✓ Current: 1.0 A (with heating) - Pmax= 13.5W (with max heating)
- ✓ 6-½ ft connection cable included

9005



SLIMSTONE-9005

ZILV



SLIMSTONE-ZILV

RECOMMENDED APPLICATIONS

- Ornamental steel
- Ornamental aluminum
- Concrete
- Galvanized steel
- For wood and vinyl installations, please contact the manufacturer

INSTALLATION

- Easy & fast bolt-on installation
- Plug & play with 2 integrated relays (Slimstone-2 will connect 2 devices and operate separately using 2 different codes)
- 6.5 ft connection cable included
- Programs up to 100 individual codes
- Reversible for either side of the gate

RECOMMENDED FOR



INDUSTRIAL & COMMERCIAL



RESIDENTIAL



EDUCATION



AMUSEMENT PARKS



STADIUMS



ENERGY & POWER PLANTS

SLIMSTONE

Sturdy weather-resistant keypad with integrated relay

SECTION 087160 – Fence & Gate Hardware

PART 1 - GENERAL

1.1 SUMMARY

- Ⓐ Section Includes
 1. Gate Hardware
- Ⓑ Related Sections
 2. Section 02823 – Chain Link Fences and Gates
 3. Section 16200 – Electrical Power
 4. Section 16724 – Security Access Systems
 5. Section 32310 – Fences & Gates

PART 2 - PRODUCTS

2.1 MANUFACTURERS

- Ⓐ Listed acceptable alternate manufacturers: submit for review products with equivalent function and features of scheduled products

ITEM:	MANUFACTURER:	ACCEPTABLE SUB:
Gate electric Keypad Electric keypad	(LOC) Locinox	AS SPEC'D

2.2 GATE LOCK

- Ⓐ Gate Keypad: Shall be Slimstone-2 or Slimstone.
 1. The keypad shall be IP68 rated, dust and water resistant.
 2. The keypad shall have an aluminum vandal-proof housing with scratch-resistant exterior.
 3. The keypad shall have stainless steel push buttons.
 4. The keypad buttons shall have been tested for over 1,000,000 pushes.
 5. The keypad shall have programming of up to 100 codes.
 6. The keypad shall have a heating element for frost-free use.
 7. The keypad shall be reversible for left and right swinging gates.
 8. The keypad shall be capable of pairing to different devices.



9. The keypad shall be compatible with the Locinox Modulec-SA and Modulec-SH.
10. The keypad shall have (2) integrated switching relays (Slimstone-2) or (1) integrated switching relay (Slimstone).
11. The keypad should be designed and manufactured in Europe or in the United States.
12. The keypad shall be available in either a black or silver color.
13. The keypad shall be specifically made for outdoor use.
14. The keypad shall have been tested for 500,000 movements.
15. The keypad shall be maintenance free.
16. The keypad shall have an adjustable time range between pulse and timer mode.
17. The keypad shall have a corrosion resistance of 500h salt spray according to ISO9227.
18. The keypad shall be weatherproof and tested from -22°F - 158°F.
19. The keypad shall have a UV-resistance against discoloration of 500h.

SLIMSTONE

Sturdy weather-resistant keypad with integrated relay

SECTION 087160 – Fence & Gate Hardware

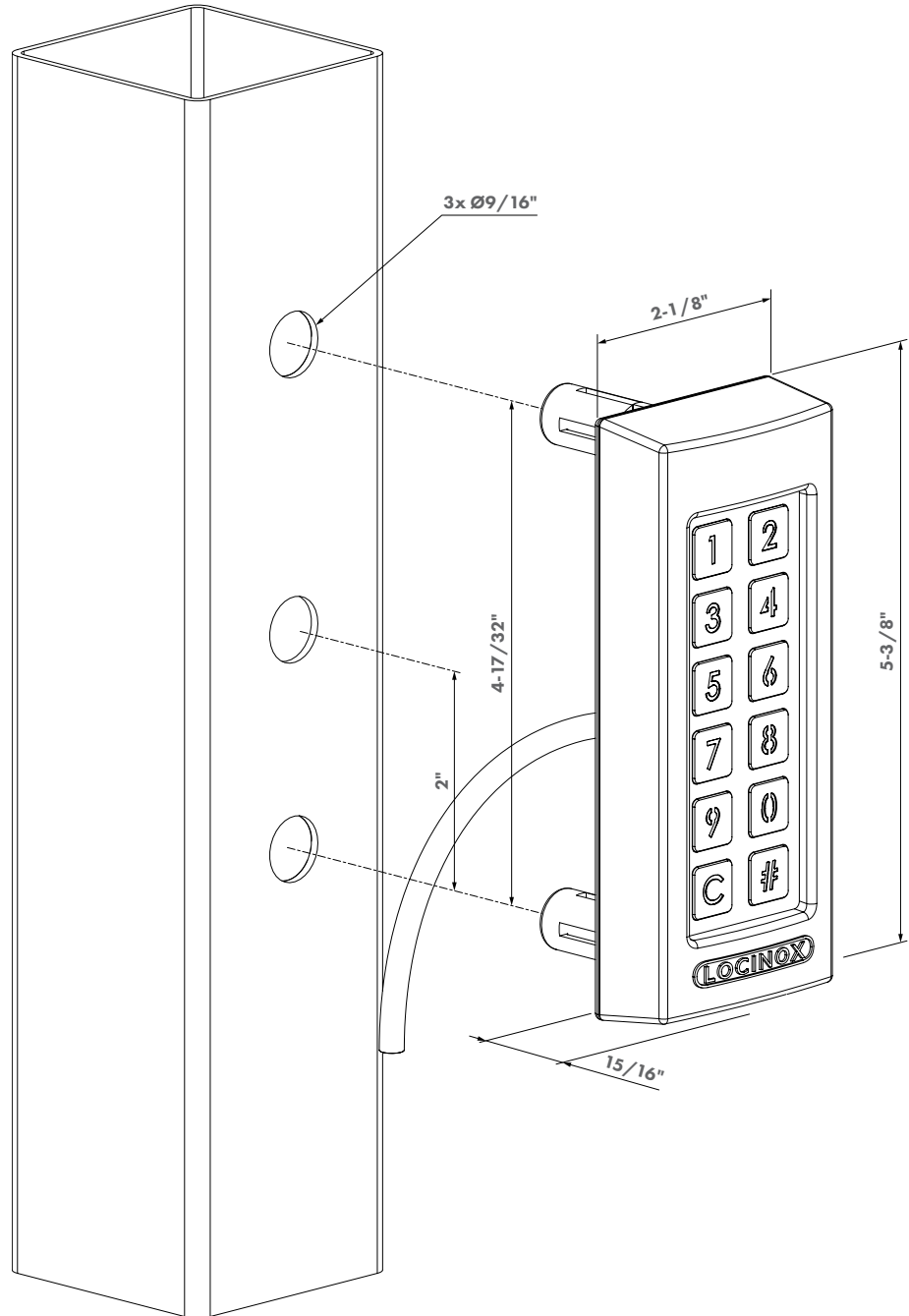


SQUARE frames



ROUND frames

SLIMSTONE



MODULEC-SA/SH

SURFACE-MOUNTED ELECTRIC STRIKE



- ✓ Tested up to 500,000 movements
- ✓ Fast and easy fixation with Quick-Fix
- ✓ 660 lbs holding force on the latch bolt
- ✓ Same drilling pattern as SA, SH and SM keeps
- ✓ Easy left or right hand changing
- ✓ Corrosion-resistant: black anodized housing
- ✓ Adjustable for profiles: 1-1/2" to 2-1/2"
- ✓ Voltage: 12V-24V AC/DC
- ✓ Consumption: 12V - 1.25A / 24V - 0.62A
- ✓ Power: 15W



9005



ZILV

MODULEC-SA-9005

MODULEC-SH-ZILV

3018MOD-SA/SH

ADAPTOR PLATE FOR MODULEC STRIKE



- ✓ Aluminum adaptor plate for Modulec on round profiles
- ✓ Black anodized
- ✓ Separate versions for SA and SH available
- ✓ Easily installed between strike and post

RECOMMENDED APPLICATIONS

- Ornamental steel
- Ornamental aluminum
- Galvanized steel
- For wood and vinyl installations, please contact the manufacturer

INSTALLATION

- Quick & easy installation using Locinox Quick-Fix mounting bolts
- Uses the same drilling pattern as SA and SH keeps
- Reversible for either side of the gate

RECOMMENDED FOR



MODULEC

Surface-mounted electric strike

SECTION 087160 – Fence & Gate Hardware

PART 1 - GENERAL

1.1 SUMMARY

- Ⓐ Section Includes
 1. Gate Hardware
- Ⓑ Related Sections
 2. Section 02823 – Chain Link Fences and Gates
 3. Section 16200 – Electrical Power
 4. Section 16724 – Security Access Systems
 5. Section 32310 – Fences & Gates

PART 2 - PRODUCTS

2.1 MANUFACTURERS

- Ⓐ Listed acceptable alternate manufacturers: submit for review products with equivalent function and features of scheduled products

ITEM:	MANUFACTURER:	ACCEPTABLE SUB:
Electric Gate Keeps Electric Strikes	(LOC) Locinox	AS SPEC'D

2.2 GATE LOCK

- Ⓐ Gate Keypad: Shall be Modulec.
 1. The gate keep shall be connectable to both 12V/24V and AC/DC.
 2. The gate keep shall have 660 lbs holding force on the latch bolt.
 3. The gate keep shall be vandal-proof.
 4. The gate keep shall be installed using Quick-Fix fixation bolts; each bolt shall have a minimum of 2,000 lbs of holding force
 5. The gate keep shall have Fail-Open or Fail-Close variations.
 6. The gate keep shall have capability of integrating with third-party automation products.
 7. The gate keep shall be reversible for left and right swinging gates.
 8. The gate keep shall be adjustable.



9. The gate keep shall be weatherproof.
10. The gate keep should be designed and manufactured in Europe or in the United States.
11. The gate keep shall have an aluminum, scratch-resistant exterior.
12. The gate keep shall be available in either a black or silver color.
13. The gate keep shall be specifically made for outdoor use.
14. The gate keep shall have been tested for 500,000 movements.
15. The gate keep shall be maintenance free.
16. The gate keep shall have a corrosion resistance of 500h salt spray according to ISO9227.
17. The gate keep shall be fully weather and dustproof.
18. The gate keep shall have a UV-resistance against discoloration of 500h.

MODULEC

Surface mounted electric strike

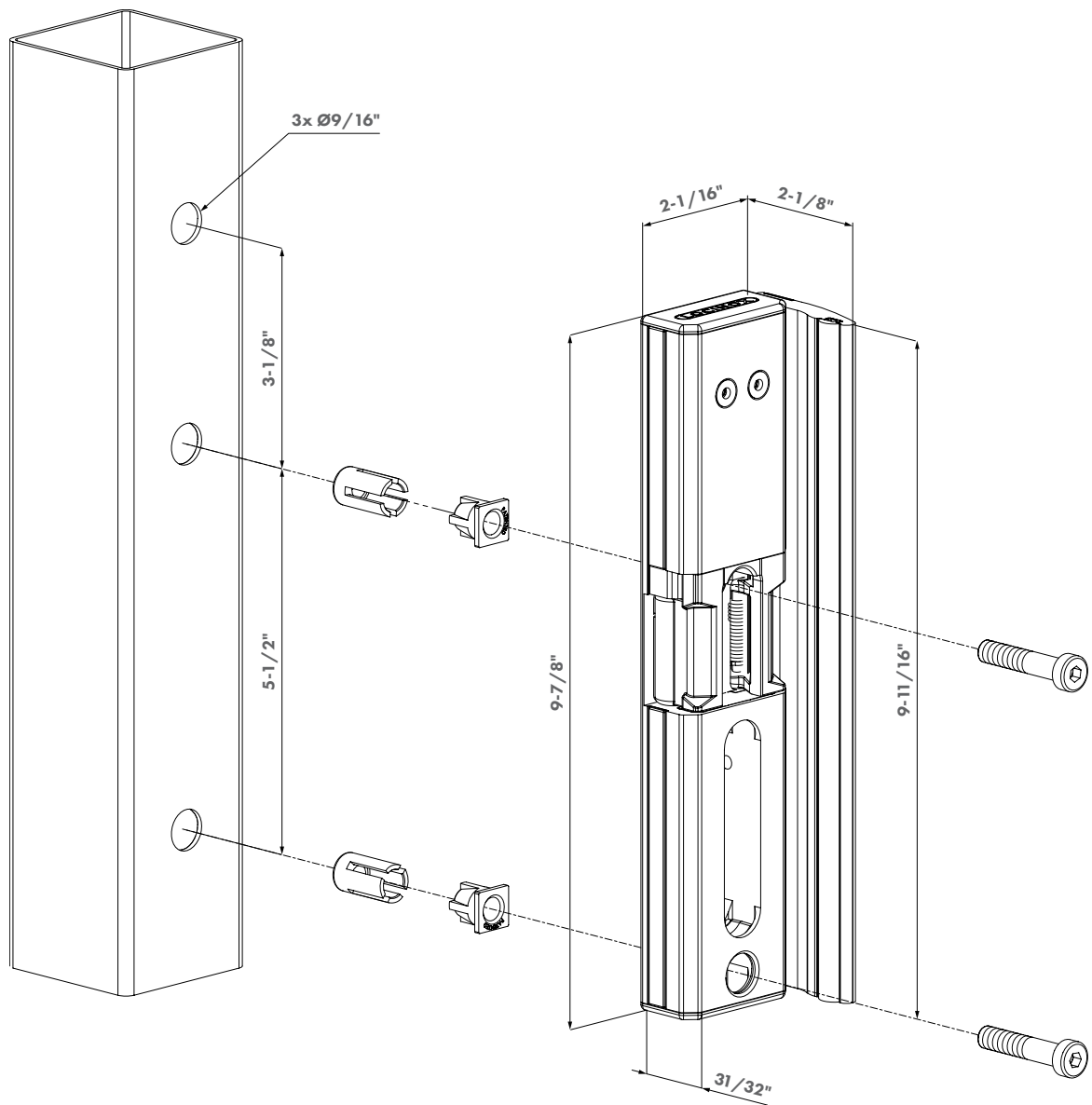
SECTION 087160 – Fence & Gate Hardware



SQUARE frames



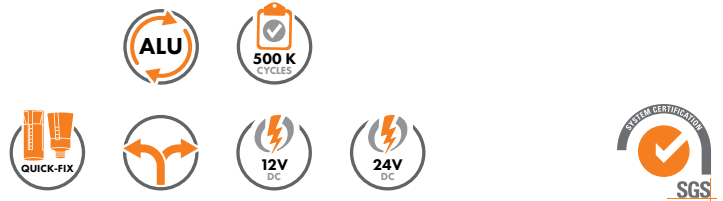
ROUND frames



MODULEC

MAG

SURFACE MOUNTED ELECTROMAGNETIC LOCK WITH INTEGRATED PULL/PUSH HANDLES



- ✓ Guaranteed holding force tested on every electromagnetic lock
- ✓ 500h salt spray resistant! SGS Certified (ISO 9227)
- ✓ Perfect for pedestrian gates
- ✓ Special two-layer protective coating developed for outdoor use
- ✓ SGS Certified
- ✓ Powder coated aluminum housing
- ✓ Anti-residual magnetism kick-off system
- ✓ Raised edge on the magnet housing makes it impossible to put a crowbar between the magnet and the armature plate
- ✓ Fast and easy fixing by means of 5 holes with Quick-Fix



9005

MAG-9005

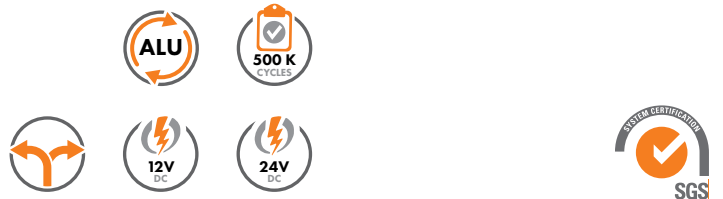


ZILV

MAG-ZILV

MAGMAG

SURFACE MOUNTED ELECTROMAGNETIC LOCK WITHOUT INTEGRATED HANDLES



- ✓ Guaranteed holding force tested on every electromagnetic lock
- ✓ 500h salt spray resistant! SGS Certified (ISO 9227)
- ✓ Perfect for driveway gates
- ✓ Special two-layer protective coating developed for outdoor use
- ✓ SGS Certified
- ✓ Powder coated aluminum housing
- ✓ Anti-residual magnetism kick-off system
- ✓ Raised edge on the magnet housing makes it impossible to put a crowbar between the magnet and the armature plate
- ✓ Fast and easy fixing by means of 5 holes with Quick-Fix



9005

MAGMAG-9005



ZILV

MAGMAG-ZILV

MAG

Surface mounted electromagnetic lock with integrated pull/push handles

SECTION 087160 – Fence & Gate Hardware

MAG

PART 1 - GENERAL

1.1 SUMMARY

- Ⓐ Section Includes
 1. Gate Hardware
- Ⓑ Related Sections
 2. Section 02823 – Chain Link Fences and Gates
 3. Section 16200 – Electrical Power
 4. Section 16724 – Security Access Systems
 5. Section 32310 – Fences & Gates

PART 2 - PRODUCTS

2.1 MANUFACTURERS

- Ⓐ Listed acceptable alternate manufacturers: submit for review products with equivalent function and features of scheduled products

ITEM:	MANUFACTURER:	ACCEPTABLE SUB:
Electromagnetic Locks	(LOC) Locinox	AS SPEC'D

2.2 GATE LOCK

- Ⓐ Gate Lock: Shall be MAG or MAGMAG.
 1. The electromagnetic gate lock shall be 12V or 24V voltage.
 2. It shall have 660 lbs or 1200 lbs of pulling force, tested at these respective forces.
 3. It shall have a bolt-on application requiring no welding.
 4. The lock shall be installed using Quick-Fix installation bolts, rated at 2,000 lbs holding force per bolt.
 5. The electromagnetic gate lock should have an anti-residual kick-off system.
 6. The electromagnetic gate lock shall be vandal-proof with a required raised edge on the magnet housing.
 7. The electromagnetic gate lock shall be available in either a black or silver color.
 8. The electromagnetic gate lock shall be specifically made for outdoor use.



9. The electromagnetic gate lock shall have been tested for 500,000 movements.
10. The electromagnetic gate lock shall be maintenance free (no greasing).
11. The electromagnetic gate lock mechanism shall be made out stainless steel and aluminum components.
12. The housing of the electromagnetic gate lock mechanism shall be made from extruded, powder coated aluminum (no wet painting or anodization). The powder coating shall be according to the Qualicoat standards.
13. The electromagnetic gate lock shall have a corrosion resistance of 500h salt spray according to ISO9227.
14. The electromagnetic gate lock shall be fully weather- and dustproof.
15. The electromagnetic gate lock shall have a UV-resistance against discoloration of 500h.
16. The electromagnetic gate lock shall have a fail open function
17. For MAG: the electromagnetic gate lock shall be surface mounted and shall have integrated handles for easy manipulation of the gate. For MAGMAG: the electromagnetic gate lock shall be surface mounted.

MAG

Surface-mounted electromagnetic lock with integrated push/pull handles

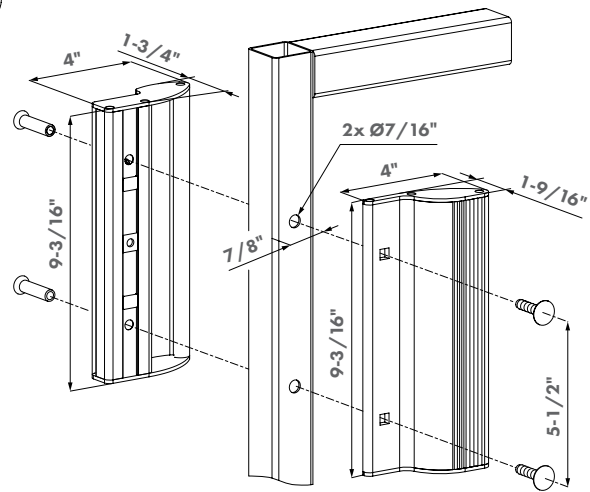
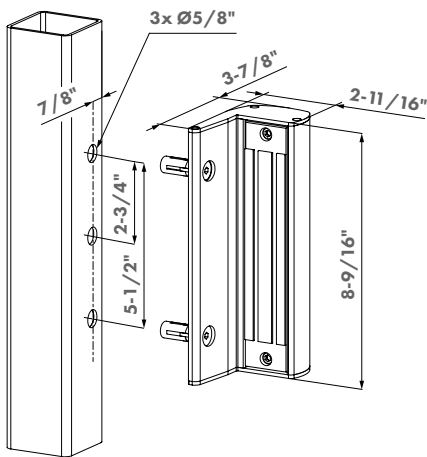
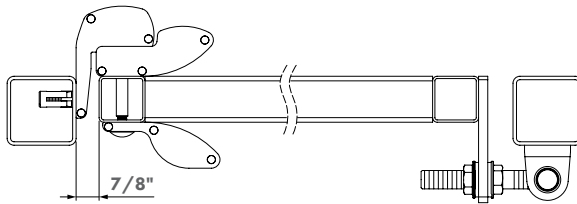
SECTION 087160 – Fence & Gate Hardware



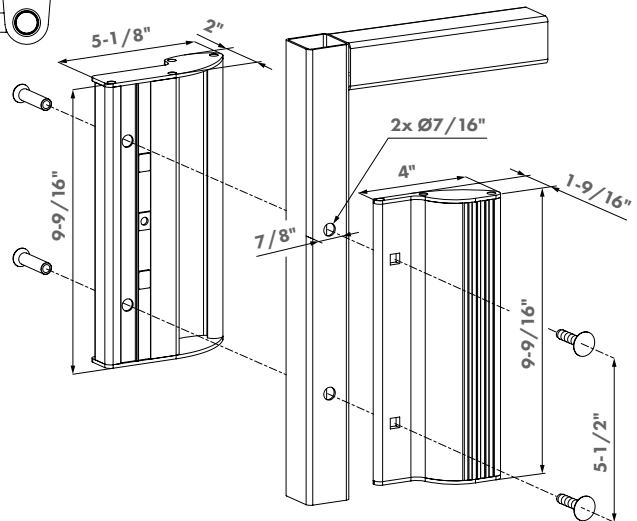
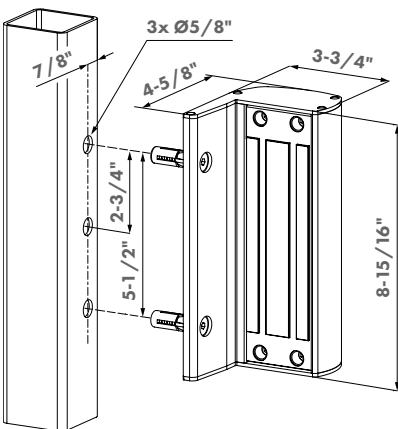
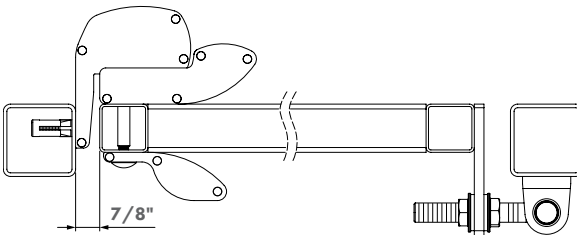
SQUARE frames



ROUND frames



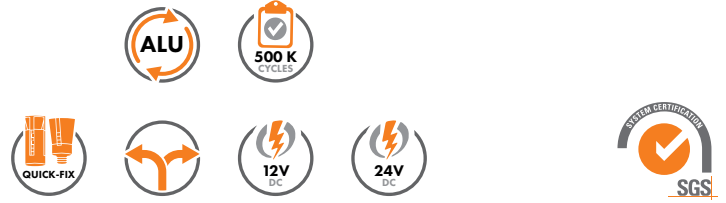
MAG3000



MAG5000

B-MAG

INTEGRATED ELECTROMAGNET LOCK FOR SWING GATES



- ✓ Guaranteed holding force tested on every electromagnetic lock
- ✓ 500h salt spray resistant! SGS certified (ISO 9227)
- ✓ Special two-layer protective coating developed for outdoor use
- ✓ Anti-residual magnetism kick-off system
- ✓ Minimal pulling force: 2,500N
- ✓ Available for 600 or 1,200 lbs
- ✓ Current: 460mA/12V or 230mA/24V



B-MAG-9005

B-MAG-ZILV

S-MAG

ELECTROMAGNETIC LOCK FOR SLIDING GATES



- ✓ Guaranteed holding force tested on every electromagnetic lock
- ✓ 500h salt spray resistant! SGS certified (ISO 9227)
- ✓ Special two-layer protective coating developed for outdoor use
- ✓ Anti-residual magnetism kick-off system
- ✓ Minimal pulling force: 2,500N
- ✓ Current: 460mA/12V or 230mA/24V



S-MAG-9005

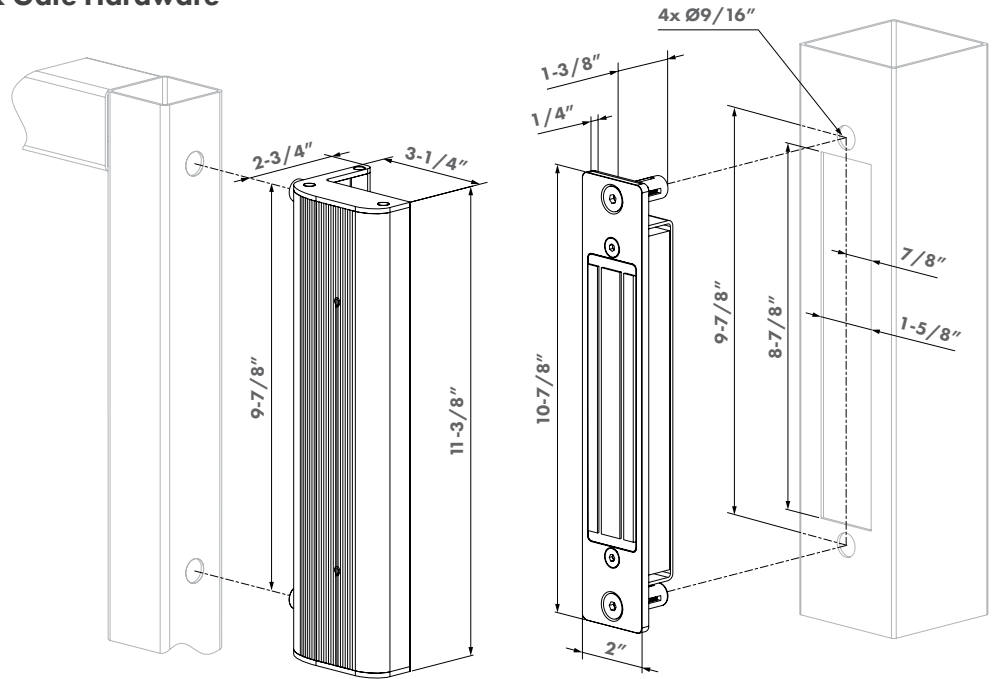
S-MAG-ZILV

B-MAG

SECTION 087160 – Fence & Gate Hardware



SQUARE frames

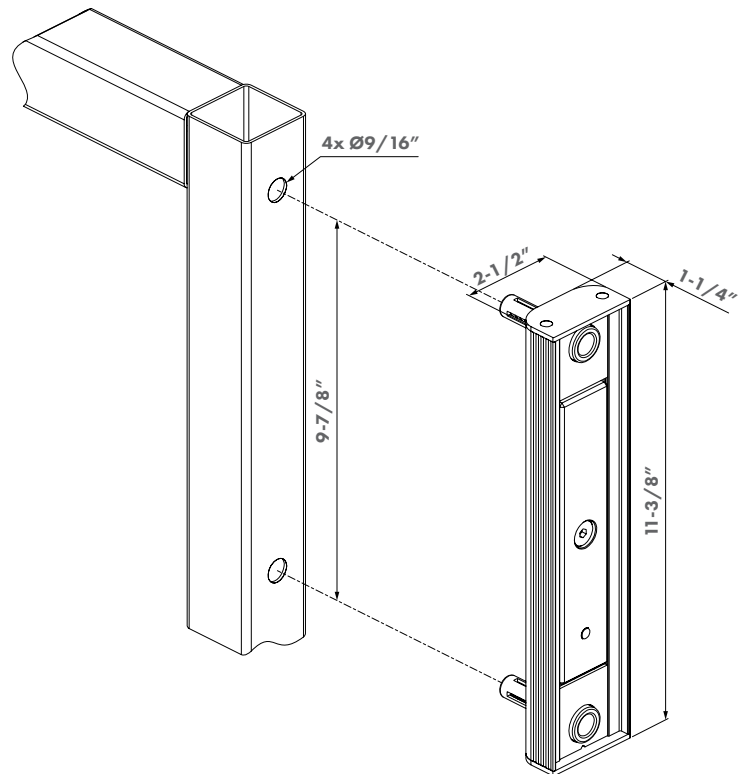


S-MAG

SECTION 087160 – Fence & Gate Hardware



SQUARE frames



ELECTRADROP

MOTORIZED ELECTRICAL DROP BOLT



- ✓ Vandal-proof, powder coated aluminum housing
- ✓ To be connected to the warning light on automated gates (min 3 sec pre-warning signal) or directly on the gate automation
- ✓ Automatic detection and memorization of a continuous or pulse signal
- ✓ Mechanical release possible (by key) in case of emergency
- ✓ Fitted with relay for drop bolt detection
- ✓ Obstacle detection automatically stops drop bolt in case of interference pressure exceeding 40 lbs



9005

ELECTRADROP-9005



ZILV

ELECTRADROP-ZILV

TRICONE

DESIGN LED-LIGHTING FOR GATES



- ✓ Fast and easy installation with Quick-Fix
- ✓ Aluminum housing with plastic (POM) cable guiding
- ✓ 3 white High-Flux LED Lights
- ✓ ± 140° beam angle
- ✓ Life expectancy: 50,000 hours
- ✓ 300 lux (illuminance)
- ✓ Power: ± 1W (with 12V DC)
- ✓ 12V AC or DC (max. 18V DC or peak AC)
- ✓ Minimal power consumption and long lasting performance
- ✓ Resin encapsulated print circuit board for weather resistance
- ✓ Power up to 20 Tricones with 1 Locinox AC transformer or up to 15 with the DC power
- ✓ IP54



9005

TRICONE-9005



ZILV

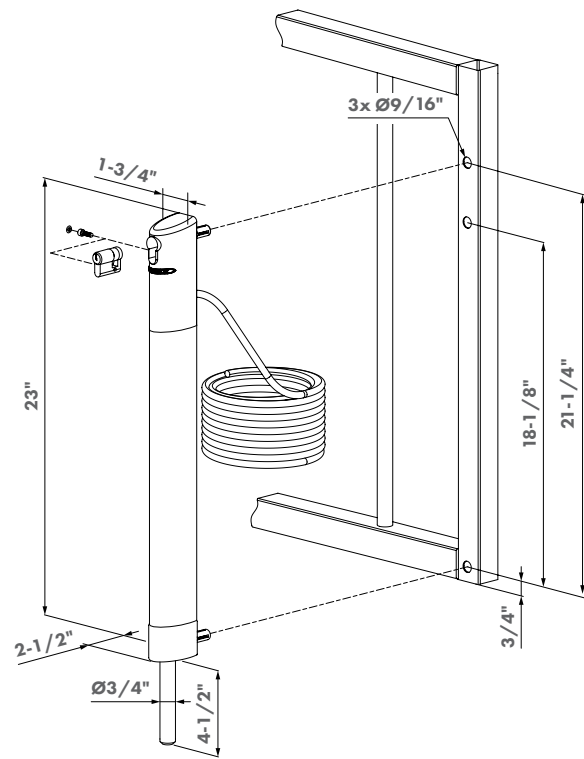
TRICONE-ZILV

ELECTRADROP

SECTION 087160 – Fence & Gate Hardware



SQUARE frames

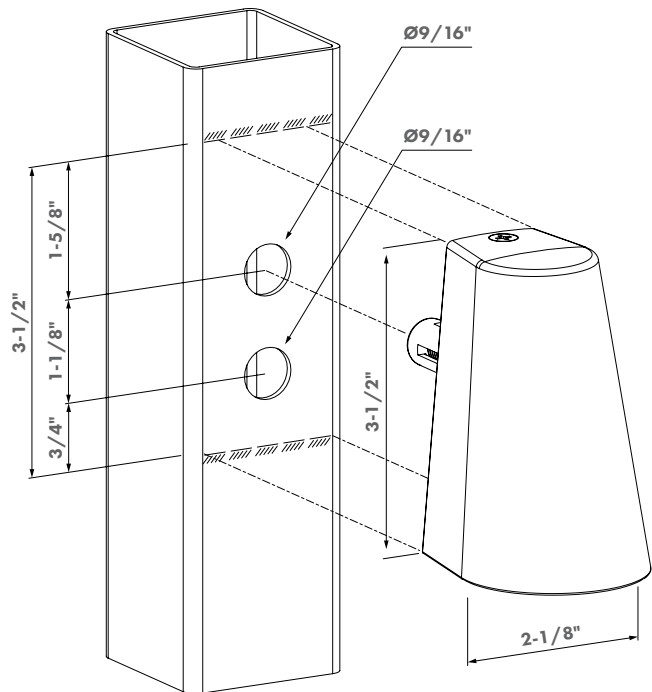


TRICONE

SECTION 087160 – Fence & Gate Hardware



SQUARE frames



PB-1

POWERBOX - TRANSFORMER HOUSING



- ✓ Waterproof transformer box - IP66
- ✓ Powder coated aluminum housing
- ✓ DIN-rail mount: 3-3/8" (5 units)
- ✓ Supplied with 2 gland nuts M20 and 2 stop plugs M16
- ✓ Designed with heat-dissipation fins at the back



PB-1-9005

9005

PB-1-ZILV

ZILV

DVK-HD

REINFORCED, BRAIDED STAINLESS STEEL GUIDING CABLE



- ✓ Vandal-proof, stainless steel, braided guiding cable
- ✓ Available with 17-3/4" or 25-3/8" braided cable
- ✓ Protects electrical wiring against vandalism, moist, dirt and vermin
- ✓ Strong fixation by means of 8 self-tapping stainless steel screws
- ✓ Cable entry: aluminum housing
- ✓ Inner diameter: Ø3/8"



DVK-HD-ZILV

ZILV

DC-POWER

SAFETY POWER SUPPLY 12V OR 24V DC

- ✓ Mounting on DIN-rail or directly
- ✓ Power: 25W
- ✓ Primary voltage: 110V
- ✓ Secondary voltage: available in 12V or 24V
- ✓ Robust control module: encapsulated for superior humidity resistance



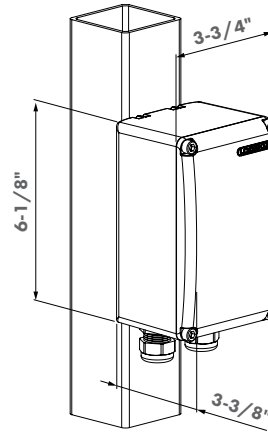
POWER ACCESSORIES

SECTION 087160 – Fence & Gate Hardware

PB-1



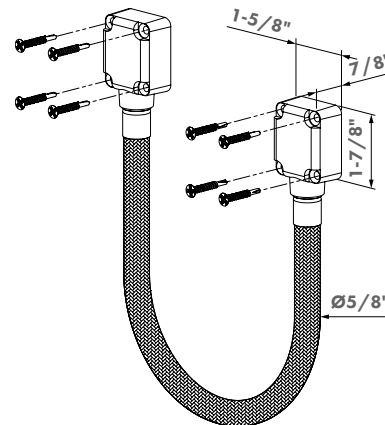
SQUARE frames



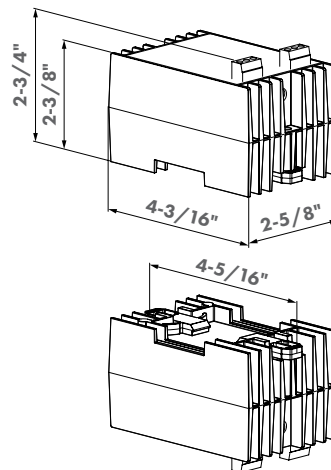
DVK-HD



SQUARE frames



DC-POWER



Hinges & Drop bolts

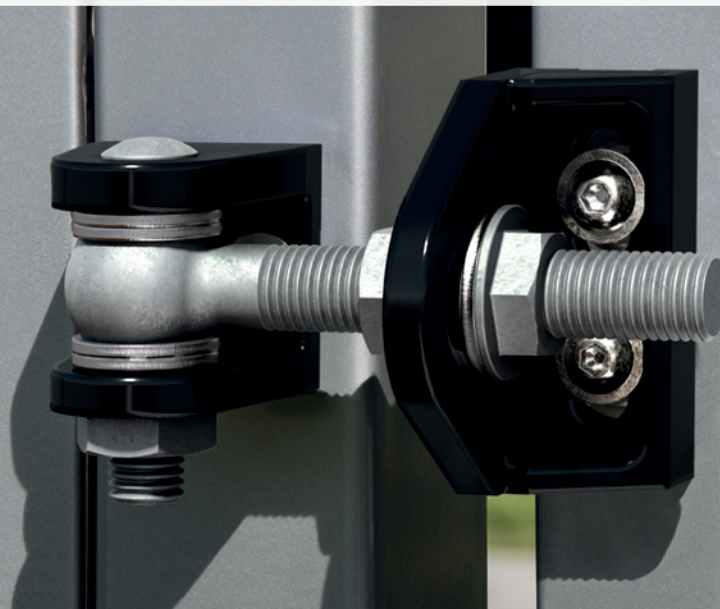
Hinges support the weight of the gate and ensure it opens and closes smoothly. Because of this heavy task, our hinges are hot-dip galvanized or made of stainless steel. Thanks to our wide range, we offer a solution for every situation. Our patented 4D hinge is a top-of-the-line innovation; adjustable in 4 dimensions (height/depth/alignment/left or right turning).

Note: The horizontal width of the gate divided by the vertical distance between the hinges installed should be equal or less than 2.

Hinge Quick-Guide

Hinge	Page	Min gap gate frame to post	Max adjustability	Max gate weight in lbs*
BOLTON-HD-4D16	p 100	1/4"	2 3/8"	440
GBMU4D12	p 100	7/8"	1 5/8"	220
GBMU4D16	p 100	1 3/8"	2 3/8"	440
GBMU4D20	p 100	1 3/8"	4 7/8"	880
GBMU-X-M12	p 100	1/4"	1 3/4"	220
GBMU-X-M16	p 100	5/16"	2 3/8"	440
GBMU-X-M18	p 100	5/16"	2 1/8"	550
GBMU-X-M20	p 100	1/2"	3 1/8"	880
GBMU-X-M22	p 100	1/2"	3 1/2"	970
GAM-12-130	p 100	1 13/16"	3 15/16"	220
Puma	p 101	3/8"	5/8"	132
Dino	p 101	1/2"	3/4"	330
Bearing Hinge 40x40	p 101	1"	1 3/8"	440
Bearing Hinge 50x50	p 101	3/8"	1 3/8"	440
3DM	p 101	5/8"	5/8"	330
3DW	p 102	0"	5/8"	770

*All gate weights specified are intended for pedestrian gates. For wider (driveway) gates, please contact Locinox



BOLTON-HD-4D

180° BOLT-ON 4D ADJUSTABLE HINGE



- ✓ Easy to fix with Quick-Fix or bolt through fixing
- ✓ Vandal-proof eyebolt & crossbolt
- ✓ 180° opening
- ✓ Max width of gate: 6-1/2 ft
- ✓ 9/16" adjustable in height
- ✓ 1" adjustable in depth
- ✓ U-clamp and GRIP in aluminum
- ✓ Hot-dip galvanized eyebolt and crossbolt

BOLTON-HD-4D-9005

9005

BOLTON-HD-4D-ZILV

ALUM

GBMU4D

180° WELD-ON 4D ADJUSTABLE HINGE



- ✓ 180° opening and closing angle
- ✓ Eliminates the need to stock left and right swinging gates
- ✓ Only the grip is available in different RAL-colors
- ✓ Grip: hot-dip galvanized
- ✓ 7/8" adjustability in height
- ✓ Eyebolt M 16: (5/8") hot-dip galvanized
- ✓ Version Z: U-shaped ear plate and groove plate zinc-plated

GBMU4D-9005

9005

GBMU4D-ZILV

ALUM

GBMU

180° 3-WAY ADJUSTABLE HINGE



- ✓ U-shaped ear plate and groove plate in black steel to weld on
- ✓ Eyebolt, bolt & nut, hot-dip galvanized
- ✓ Available in 5 sizes: M 12, M 16, M 18, M 20 and M 22
- ✓ 180° opening and closing angle

GAM-12

90° 2-WAY ADJUSTABLE J-BOLT HINGE



- ✓ Hinge axle M 12 in stainless steel
- ✓ Length of the threaded J-bolt: 5-1/8" to 5-7/8" long
- ✓ 90° opening and closing angle
- ✓ Welding ear in black steel

PUMA

COMPACT 2-WAY ADJUSTABLE 180°
SURFACE MOUNTED HINGE



- ✓ Resistant to extreme weather conditions thanks to the stainless steel hinge axle
- ✓ 180° opening and closing angle
- ✓ For gates up to 3.5 ft wide and 135 lbs
- ✓ For left and right opening gates
- ✓ Aesthetic design & powder coated aluminum housing
- ✓ 3/4" vertical adjustability
- ✓ Fast and easy installation with Quick-Fix
- ✓ 5/8" width-adjustable

PUMA-9005

9005

PUMA-ZILV

ZILV

DINO

180° 2-WAY ADJUSTABLE DOUBLE
BEARING HINGE



- ✓ Opening angle: 180°
- ✓ Contains 2 stainless steel bearings
- ✓ Vandal-proof
- ✓ Can be combined with Mammoth
- ✓ For gates up to 330 lbs and 5 ft wide
- ✓ For left and right handed gates
- ✓ Aesthetic design
- ✓ Powder coated aluminum housing
- ✓ Fast and easy fixation with Quick-Fix

DINO-9005

9005

DINO-ZILV

ZILV

BEARING HINGE

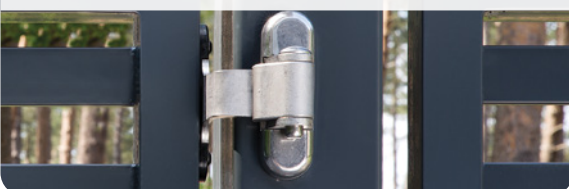
90° 2-WAY ADJUSTABLE BEARING HINGE



- ✓ Specially developed for automated gates
- ✓ Rust resistant housing
- ✓ Maintenance-free sealed bearing
- ✓ Can be used as top & bottom hinge

3DM

180° 3-WAY ADJUSTABLE
ORNAMENTAL HINGE



- ✓ 180° hinge for metal & aluminum gates with 4" posts
- ✓ Innovative Quick-Fix mounting
- ✓ Reversible for left or right hand swing gates
- ✓ 5/8" adjustable in width, 3/8" in height and 3/8" in depth
- ✓ Vandal proof
- ✓ Hinge socket, axle, and socket cover plate in stainless steel

3DW

180° 3-WAY ADJUSTABLE STRAP HINGE



- ✓ 180° hinge for wooden gates
- ✓ Reversible for left or right hand swing gates
- ✓ Vandal-proof
- ✓ Hinge socket, axle and socket cover plate in stainless steel

KEYDROP

KEY LOCKABLE DROP BOLT



- ✓ Throw: 5-1/2"
- ✓ Lockable drop bolt with cylinder
- ✓ Same drilling pattern as VSF and VSA
- ✓ Possible to match same key as gate lock
- ✓ Height adjustability of the drop bolt: 4"
- ✓ Height adjustability in 3 positions: 2" per position
- ✓ The gate can be locked in open or closed position
- ✓ For square gate profiles 1-1/4" or larger

KEYDROP-9005

9005

KEYDROP-ZILV

ALUM

VSF/VSA

HOT-DIP GALVANIZED / ALUMINUM DROP BOLT



- ✓ Aluminum head block and housing
- ✓ For gate profiles 1-1/2" or more
- ✓ Height adjustability of the drop bolt: 4"
- ✓ Throw: 5-1/2"
- ✓ Fast and easy fixation with Quick-Fix
- ✓ Easy to retrofit

VSF/VSA-9005

9005

VSF/VSA-ZILV

ZILV

EGS

ECONOMIC GROUND CATCH FOR DROP BOLT



- ✓ Simple and economic in-ground catch designed to put in concrete
- ✓ Without stop plate
- ✓ Hot-dip galvanized base-plate with polypropylene catcher
- ✓ For drop bolts with a maximum bolt diameter of 3/4"



HINGES

Locinox weatherproof exterior gate hinges

SECTION 087160 – Fence & Gate Hardware

PART 1 - GENERAL

1.1 SUMMARY

A Section Includes

1. Gate Hardware

B Related Sections

2. Section 02823 – Chain Link Fences and Gates
3. Section 16200 – Electrical Power
4. Section 16724 – Security Access Systems
5. Section 32310 – Fences & Gates

PART 2 - PRODUCTS

2.1 MANUFACTURERS

- A** Listed acceptable alternate manufacturers: submit for review products with equivalent function and features of scheduled products

ITEM:	MANUFACTURER:	ACCEPTABLE SUB:
Gate Hinges	(LOC) Locinox	AS SPEC'D

2.2 GATE LOCK

- A** Gate Hinges: Shall be BOLTON-HD-4D, GBMU4D, GBMU, PUMA, DINO, 3DM, or 3DW

1. The gate hinge shall be operational with a 180° opening angle (for BOLTON-HD-4D, GBMU4D, GBMU, PUMA, DINO, 3DM, 3DW) or with a 90° opening angle (1DBH, BEARING HINGE)
2. The gate hinge shall be completely mechanical (no electronic components)
3. The gate hinge shall have vandal-proof eyebolts and cross bolts.
4. The gate hinge shall be reversible for left and right swinging gates.
5. The gate hinge shall be adjustable vertically, horizontally, or both (see p.100, 101, 102 for options).
6. The gate hinge shall be weatherproof and corrosion resistant. The hinge shall have a corrosion resistance of 500h salt spray according to ISO9227.
7. The bolts for the gate hinge shall be either stainless steel or hot-dip galvanized steel.

8. The gate hinge should be designed and manufactured in Europe or in the United States.
9. The gate hinge shall have a polyamide rain and dust cover.
10. The gate hinge shall be available in either a black or silver color.
11. The gate hinge shall be specifically made for outdoor use.
12. The gate hinge shall have been tested for 500,000 movements.
13. The gate hinge shall be maintenance free (no greasing or rewelding).
14. The gate hinge shall be made out of hot-dip galvanized and stainless steel components.
15. The gate hinge shall be fully weather and dustproof. The gate hinge shall have a UV-resistance against discoloration of 500h.
16. The gate hinges shall be designed for use on pedestrian gates, with respect to the maximum gate weight (see p.104, 105, 106).

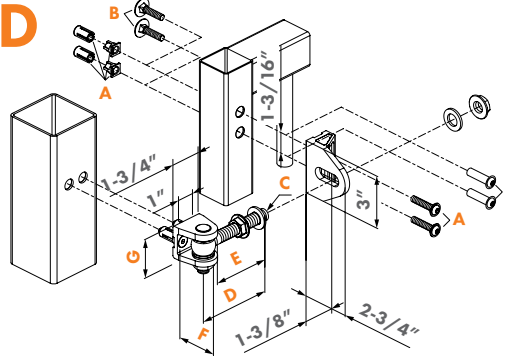
HINGES

SECTION 087160 – Fence & Gate Hardware

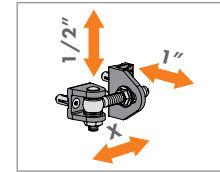
BOLTON-HD-4D



SQUARE frames



ADJUSTABILITY

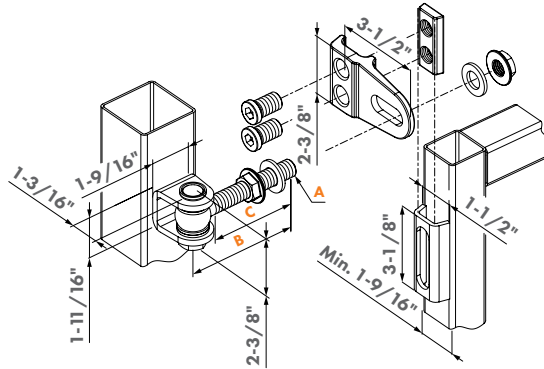


			A	B
BOLTON-HD-4D-16-QF-110	440 lbs	6-1/2"	Quick-Fix	
BOLTON-HD-4D-16-4060-110	440 lbs	6-1/2"		Bindrabus

GBMU4D



SQUARE frames

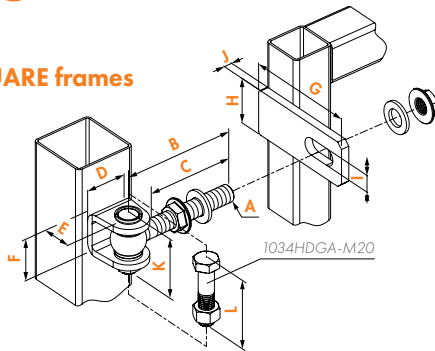


		A	B	C
GBMU4D16-X-110	440 lbs	M16	4-3/8"	3-3/8"
GBMU4D16-X-150	440 lbs	M16	5-7/8"	4-15/16"

GBMU



SQUARE frames

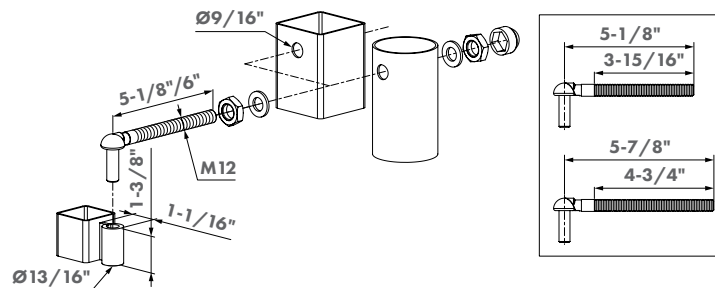


		A	B	C	D	E	F	G	H	I	J	K	L
GBMU-X-M12-90	220 lbs	M12	3-1/2"	2-3/4"	1-3/8"	1"	1-1/4"	3-1/2"	1-3/8"	1/2"	1/4"	1-7/8"	
GBMU-X-M16-110	440 lbs	M16	4-3/8"	3-3/8"	1-5/8"	1-1/8"	1-5/8"	4-3/8"	1-3/4"	5/8"	5/16"	2-3/8"	
GBMU-X-M16-150	440 lbs	M16	5-7/8"	4-7/8"	1-5/8"	1-1/8"	1-5/8"	4-3/8"	1-3/4"	5/8"	5/16"	2-3/8"	
GBMU-X-M18-105	550 lbs	M18	4-1/8"	3-1/8"	2"	1-1/8"	1-5/8"	4-3/4"	2"	3/4"	5/16"	2-1/2"	
GBMU-X-M18-150	550 lbs	M18	5-7/8"	4-7/8"	2"	1-1/8"	1-5/8"	4-3/4"	2"	3/4"	5/16"	2-1/2"	
GBMU-X-M20-130	880 lbs	M20	5-1/8"	4-1/8"	2-3/8"	1-3/8"	2"	5-1/8"	2-3/8"	13/16"	1/2"		3-3/8"
GBMU-X-M20-150	880 lbs	M20	5-7/8"	4-1/2"	2-3/8"	1-3/8"	2"	5-1/8"	2-3/8"	13/16"	1/2"		3-3/8"
GBMU-X-M22-145	970 lbs	M22	5-3/4"	4-1/2"	2-3/8"	1-3/8"	2"	5-1/8"	2-3/8"	15/16"	1/2"		2-7/8"
GBMU-X-M22-160	970 lbs	M22	6-1/4"	5-1/8"	2-3/8"	1-3/8"	2"	5-1/8"	2-3/8"	15/16"	1/2"		2-7/8"

GAM-12



SQUARE frames



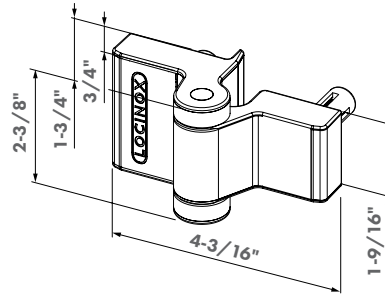
HINGES

SECTION 087160 – Fence & Gate Hardware

PUMA



SQUARE frames



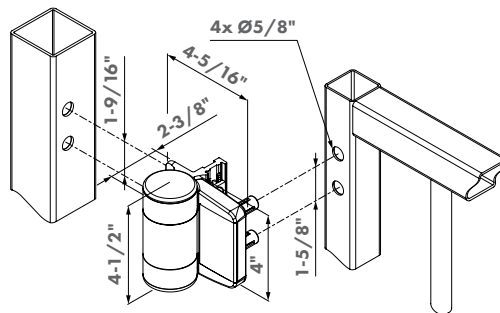
DINO



SQUARE frames



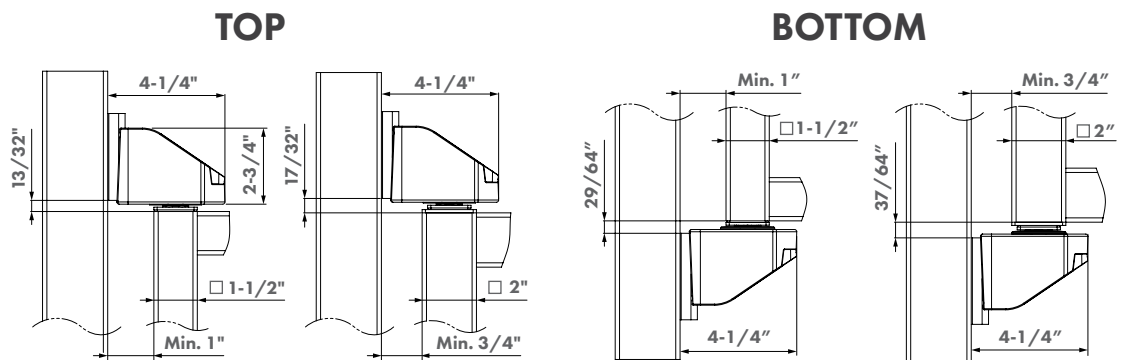
ROUND frames



BEARING HINGE



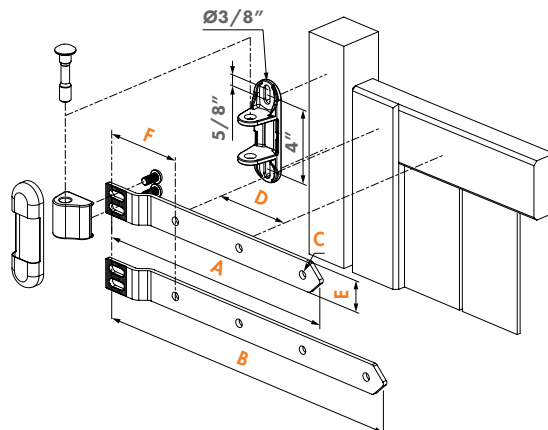
SQUARE frames



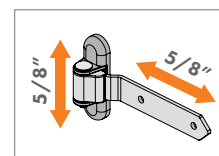
3DM



SQUARE frames



ADJUSTABILITY



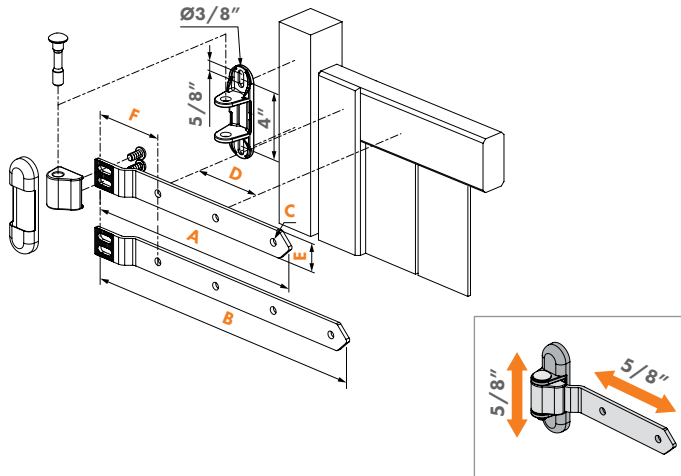
HINGES

SECTION 087160 – Fence & Gate Hardware

3DW



SQUARE frames



		A	B	C	D	E	F
3DW-350	770 lbs	13-3/4"			Ø 7/16"	4-5/16"	1-1/2"
3DW-450	770 lbs			17-3/4"	Ø 7/16"	4-5/16"	1-1/2"

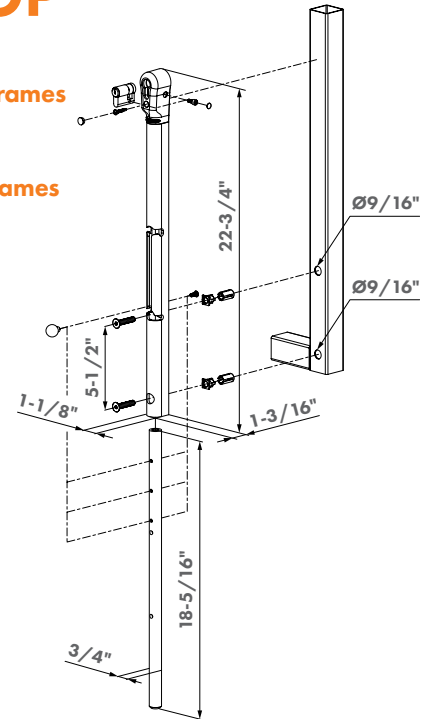
KEYDROP



SQUARE frames



ROUND frames



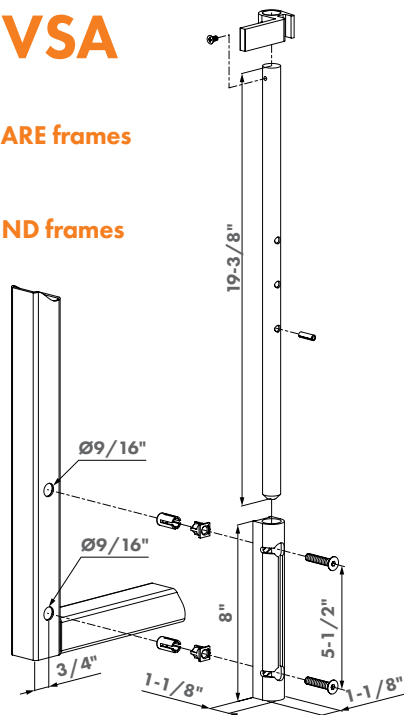
VSF/VSA



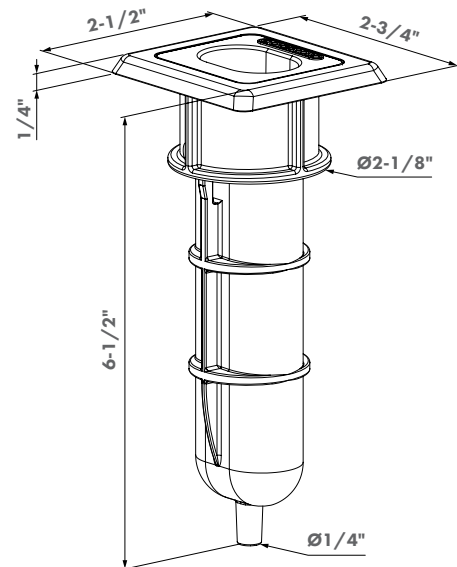
SQUARE frames

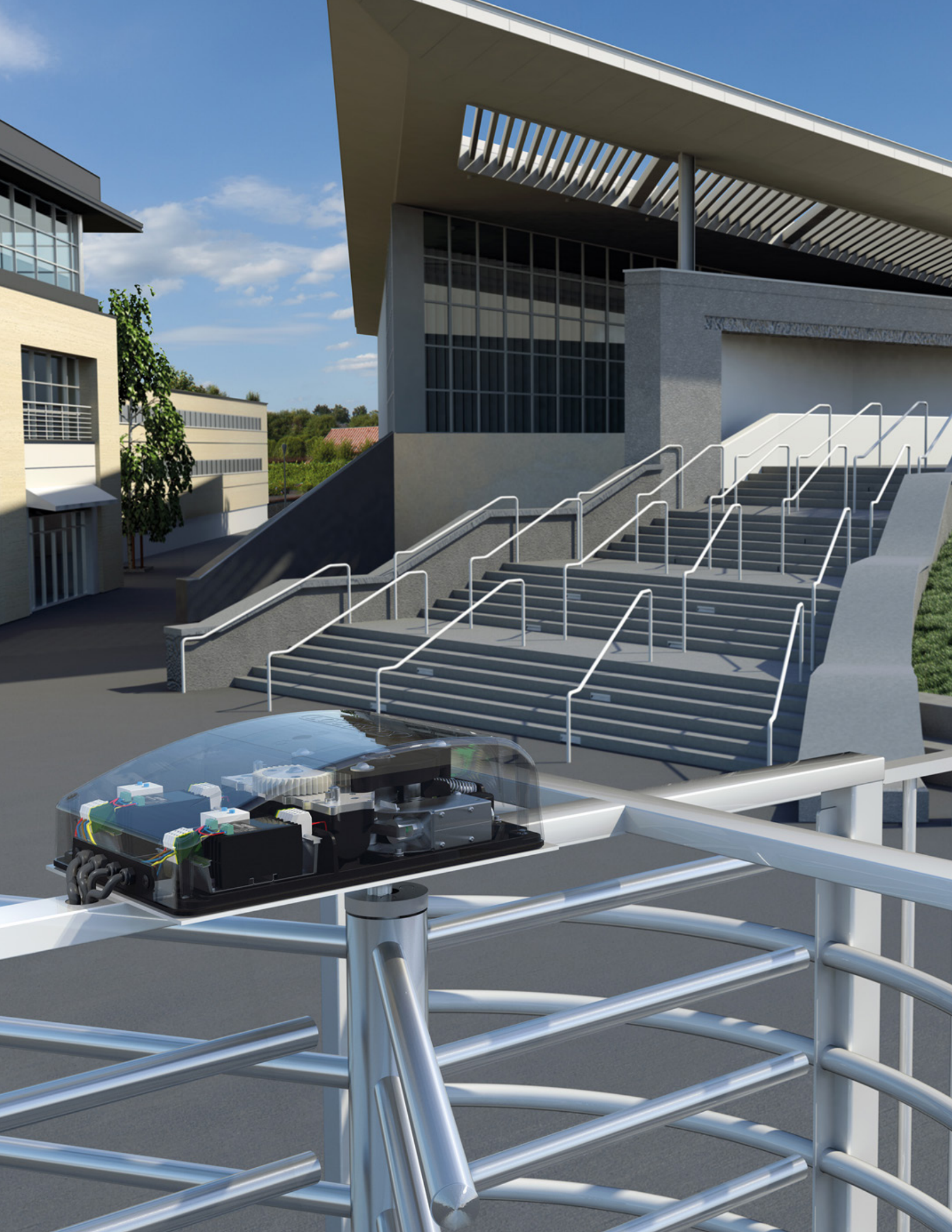


ROUND frames



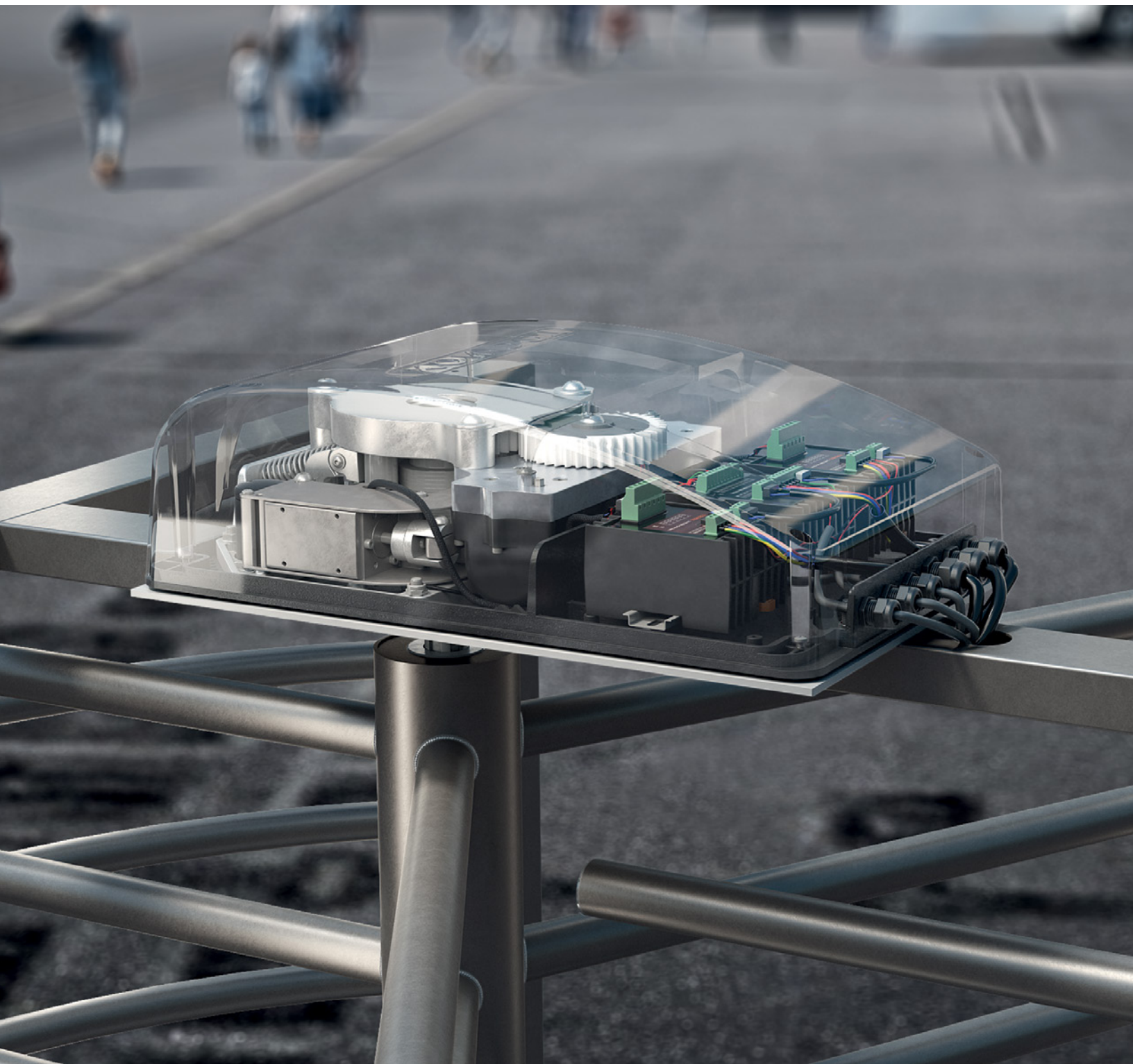
EGS





Turnstiles

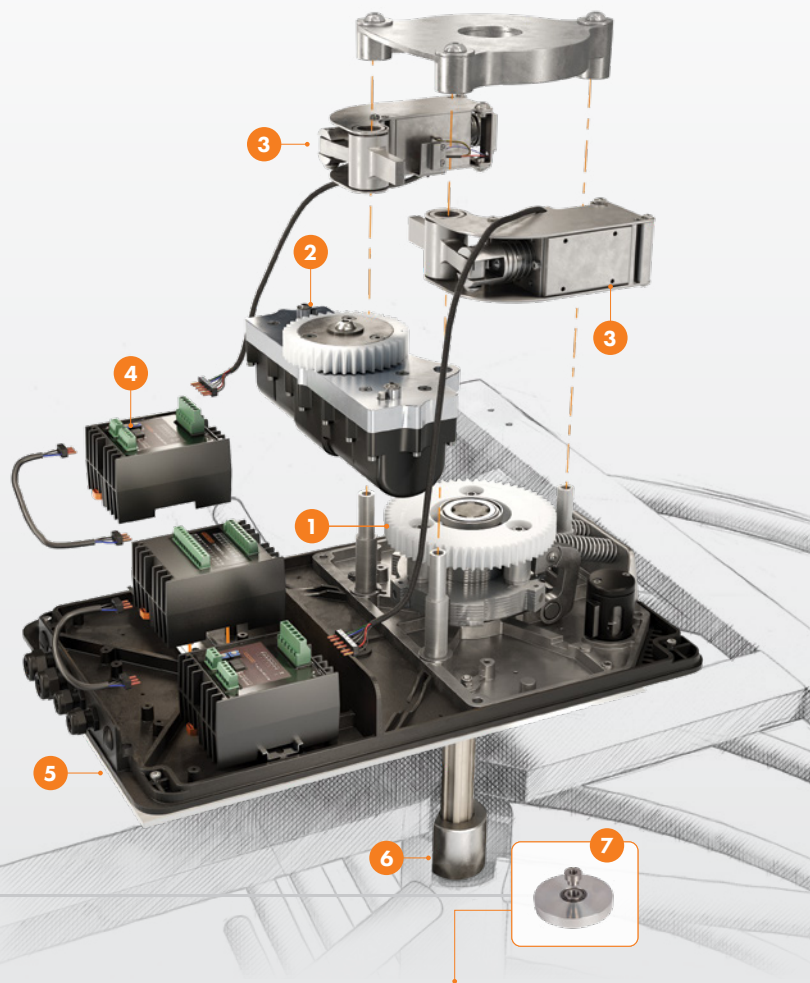
The Locinox (electro)mechanical control unit allows you to easily create a maintenance free and high quality turnstile. You have an (electro)mechanical unit at your disposal with which you can match the design of your turnstile to the design of your fencing!



(ELECTRO)MECHANIC CONTROL UNIT FOR TURNSTILES

THE COMPLETE TURNITEC SOLUTION

- 1 TT-BM3S 120° / TT-SM4S 90°**
The essential module for any turnstile
- 2 TT-DM3 120° / TT-SDM4 90°**
Recommended hydraulic damping mechanism for extra user comfort
- 3 TT-FO1 / TT-FC1**
Fail Open or Fail Close electromechanical module for access control
- 4 TT-CL2**
Counter and passing light signal module for visitor flow management
- 5 TT-BSP**
Welding plate for fast and perfect installation of Turnitec on any turnstile
- 6 TT-SAH**
Recommended for perfect connection of the basic module with the spline axle
- 7 TT-PIVOT**
Lower bearing for a smooth operation



POPULAR APPLICATIONS



PARKING SITES



ELECTROMECHANICAL
ACCESS CONTROL
FOR EXTRA SECURITY



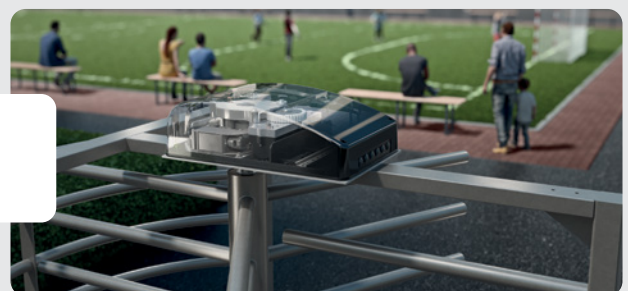
AIRPORTS



PUBLIC AREAS



MECHANICAL
FREE ENTRY AND EXIT
OR LOCKED



SCHOOLS

SOLUTIONS QUICK-FIND

a list of popular solutions to quickly find the Locinox product you need

LOOKING FOR A SOLUTION:	TAKE A LOOK IN THIS SECTION:	SUGGESTED PRODUCT:	PAGE
ADA compliant gates	GATE CLOSERS	Mammoth gate closer and hinge	p. 16
ADA compliant gates	GATE CLOSERS	Tiger gate closer and hinge	p. 21
Alleyway gates	GATE CLOSERS	Verticlose-2-wall gate closer	p. 41
Alleyway gates	LOCKS	LUKY gate lock	p. 55
Automated gates	AUTOMATION	Electradrop motorized drop bolt	p. 95
Automated gates	AUTOMATION	Electromagnetic locks	p. 89
Automated gates	AUTOMATION	Modulec electric strike	p. 85
Automated gates	AUTOMATION	Slimstone electric keypad	p. 81
Chain Link Gates	GATE CLOSERS	CLB-Mammoth gate closer and hinge	p. 26
Chain Link Gates	GATE CLOSERS	CLB-Tiger gate closer and hinge	p. 26
Chain Link Gates	GATE CLOSERS	SB-Samson gate closer	p. 26
Chain Link Gates	LOCKS	Free Vinci code lock	p. 59
Chain Link Gates	LOCKS	LUKY gate lock	p. 55
Commercial gates	GATE CLOSERS	Mammoth gate closer and hinge	p. 16
Commercial gates	GATE CLOSERS	Mammoth-HD gate closer and hinge	p. 12
Concealed hinges	GATE CLOSERS	Interio concealed gate closer	p. 45
Double gates	HINGES & DROP BOLTS	Dino hinge	p. 101
Double gates	HINGES & DROP BOLTS	Keydrop drop bolt	p. 102
Driveway gates	AUTOMATION	Electradrop motorized drop bolt	p. 95
Driveway gates	AUTOMATION	Electromagnetic locks	p. 89
Driveway gates	AUTOMATION	Slimstone electric keypad	p. 81
Dumpster gates	GATE CLOSERS	Mammoth gate closer and hinge	p. 16
Dumpster gates	HINGES & DROP BOLTS	3DM hinge	p. 101
Dumpster gates	HINGES & DROP BOLTS	Keydrop drop bolt	p. 102
Dumpster gates	HINGES & DROP BOLTS	VSF drop bolt	p. 102
Free Egress or Exit gates	GATE CLOSERS	Mammoth gate closer and hinge	p. 16
Free Egress or Exit gates	GATE CLOSERS	Verticlose-2 gate closer	p. 37
Free Egress or Exit gates	LOCKS & KEEPS	LUKY gate lock	p. 55
Fully mechanical access gates	LOCKS & KEEPS	Free Vinci code lock	p. 59
Gate Operator compatible	AUTOMATION	Electradrop motorized drop bolt	p. 95
Gate Operator compatible	AUTOMATION	Electromagnetic locks	p. 89
Heavy Weight Walk Gates	GATE CLOSERS	Mammoth-HD gate closer and hinge	p. 12
Lighting for gates	AUTOMATION & ELECTRONICS	Tricone gate light	p. 95
Ornamental Gates (aluminum or steel)	AUTOMATION & ELECTRONICS		p. 79
Ornamental Gates (aluminum or steel)	GATE CLOSERS		p. 9
Ornamental Gates (aluminum or steel)	HINGES & DROP BOLTS		p. 99
Ornamental Gates (aluminum or steel)	LOCKS & KEEPS		p. 51
Panic Exit gates	GATE CLOSERS	Mammoth gate closer and hinge	p. 16
Panic Exit gates	LOCKS & KEEPS	Push bar panic bar	p. 68
Pool Gates	GATE CLOSERS	Lion gate closer	p. 32
Pool Gates	GATE CLOSERS	Mammoth gate closer and hinge	p. 16
Pool Gates	GATE CLOSERS	Tiger gate closer and hinge	p. 21
Pool Gates	LOCKS & KEEPS	Free Vinci code lock	p. 59
Pool Gates	LOCKS & KEEPS	Modulec electric strike	p. 85
Residential gates	GATE CLOSERS	Tiger gate closer and hinge	p. 21
Residential gates	LOCKS & KEEPS	LUKY gate lock	p. 55
Security Gates	AUTOMATION & ELECTRONICS	Electromagnetic lock	p. 89
Security Gates	AUTOMATION & ELECTRONICS	Modulec electric strike	p. 85
Security Gates	GATE CLOSERS	Mammoth gate closer and hinge	p. 16
Security Gates	GATE CLOSERS	Verticlose-2 gate closer	p. 37
Self-closing gates	GATE CLOSERS		p. 9
Slide gates	AUTOMATION & ELECTRONICS	Electromagnetic lock	p. 89
Slide gates	LOCKS & KEEPS	Slide gate lock	p. 89
Turnstiles	TURNSTILES	Turnstile control unit	p. 109
Turnstile gates	GATE CLOSERS	Mammoth gate closer and hinge	p. 16
Turnstile gates	AUTOMATION & ELECTRONICS	Electromagnetic lock	p. 89
Weldable hinges	HINGES & DROP BOLTS	GBMU hinges	p. 100
Wood gates	HINGES & DROP BOLTS	3DW	p. 102

PRODUCT QUICK-FIND

quickly find the Locinox product you're looking using the ITEM CODE

ITEM CODE	DESCRIPTION	PRODUCT GROUP	PAGE
6403	Adaptor plate for SH keeps	LOCKS & KEEPS	p. 69
3006PUSH	Free exit push pad	LOCKS & KEEPS	p. 68
3018LA	Adaptor plate for SA keeps	LOCKS & KEEPS	p. 69
3018MOD	Chain link adapter for Modulec SA or SH	LOCKS & KEEPS	p. 69
3019LA	Chain link adaptor plate for LA and LS locks	LOCKS & KEEPS	p. 69
3DM	180° 3-way adjustable ornamental hinge	HINGES & DROP BOLTS	p. 102
3DW	180° 3-way adjustable strap hinge	HINGES & DROP BOLTS	p. 102
BEARING HINGE	90° 2-way adjustable bearing hinge	HINGES & DROP BOLTS	p. 101
B-MAG	Integrated electromagnet lock for swing gates	AUTOMATION & ELECTRONICS	p. 89
BOLTON-4D	180° bolt-on 4D adjustable hinge	HINGES & DROP BOLTS	p. 101
CLB-MAMMOTH	Chain link bracket for Mammoth gate closer	GATE CLOSERS	p. 26
CLB-TIGER	Chain link bracket for Tiger gate closer	GATE CLOSERS	p. 26
CLH-CO	Chain link tension bar for code locks	LOCKS & KEEPS	p. 69
CLH-LA	Chain link tension bar for locks	LOCKS & KEEPS	p. 69
DC-POWER	Safety power supply 12V or 24V DC	AUTOMATION & ELECTRONICS	p. 97
DINO	180° 2-way adjustable double bearing hinge	HINGES & DROP BOLTS	p. 101
DVK-HD	Reinforced, braided stainless steel guiding cable	AUTOMATION & ELECTRONICS	p. 97
EGS	Economic ground catch for drop bolt	HINGES & DROP BOLTS	p. 102
ELECTRADROP	Motorized electrical drop bolt	AUTOMATION & ELECTRONICS	p. 95
FREE VINCI - LFKQ	Surface mounted mechanical code lock with secured entrance and free exit	LOCKS & KEEPS	p. 59
GAM-12	90° Adjustable J-bolt hinge	HINGES & DROP BOLTS	p. 100
GBMU	180° 3-way adjustable hinge	HINGES & DROP BOLTS	p. 100
GBMU4D	180° Weld-on 4D adjustable hinge	HINGES & DROP BOLTS	p. 100
Installation tools LION-VTC-DRILL	Assembly and drill caliber for Lion and Verticlose-2 gate closers	GATE CLOSERS	p. 49
Installation tools DRILLVISE-2	Clamp set for gate frame positioning	GATE CLOSERS	p. 49
Installation tools DRILLVISE-4	Toolbox with 4 Locinox clamps	GATE CLOSERS	p. 49
Installation tools TIGERDRILL	Installation and drilling jig for Tiger gate closer	GATE CLOSERS	p. 49
INTERIO	Concealed, built-in hydraulic gate closer for gates up to 330 lbs	GATE CLOSERS	p. 45
KEYDROP	Key lockable drop bolt	HINGES & DROP BOLTS	p. 102
LEONARDO - LLKZ	Mechanical code lock for sliding gates	LOCKS & KEEPS	p. 70
LION	Compact 90° or 180° retrofit gate closer for gates up to 165 lbs	GATE CLOSERS	p. 32
LSKZ	Surface mounted sliding gate lock	LOCKS & KEEPS	p. 70
LUKY	Surface mounted US mortise cylinder gate lock	LOCKS & KEEPS	p. 54
MAG	Surface mounted electromagnetic lock with integrated pull/push handles	AUTOMATION & ELECTRONICS	p. 91
MAGMAG	Surface mounted electromagnetic lock without integrated handles	AUTOMATION & ELECTRONICS	p. 91
MAMMOTH	Heavy duty 180° gate closer and hinge in one for gates up to 330 lbs	GATE CLOSERS	p. 16
MAMMOTH-HD	Heavy duty 180° gate closer and hinge in one for gates up to 440 lbs	GATE CLOSERS	p. 12
MODULEC	Surface mounted electric strike	AUTOMATION & ELECTRONICS	p. 85
PB-1	Powerbox - transformer housing	AUTOMATION & ELECTRONICS	p. 97
PUMA	Compact 2-way adjustable 180° surface mounted hinge	HINGES & DROP BOLTS	p. 101
PUSHBAR-L	Panic release bar for locks	LOCKS & KEEPS	p. 68
SAKL	Adjustable security keep out of stainless steel	LOCKS & KEEPS	p. 69
SAMSON-2	Hydraulic retrofit gate closer for wide gates up to 330 lbs	GATE CLOSERS	p. 27
SB-	Chain link bracket for Samson-2 gate closer	GATE CLOSERS	p. 26
SF	Adjustable security keep out of stainless steel	LOCKS & KEEPS	p. 68
SHIELD	Anti-theft protection plates	LOCKS & KEEPS	p. 69
SHKL	Adjustable security keep out of stainless steel	LOCKS & KEEPS	p. 69
SLIMSTONE	Sturdy, weather resistant keypad with integrated relay	AUTOMATION & ELECTRONICS	p. 81
S-MAG	Electromagnetic lock for slide gates	AUTOMATION & ELECTRONICS	p. 89
TIGER	Compact 180° hydraulic gate closer and hinge in one for gates up to 165 lbs	GATE CLOSERS	p. 21
TRICONE	Design led-lighting for gates	AUTOMATION & ELECTRONICS	p. 95
TT-	(Electro)mechanic control unit for turnstiles	TURNSTILES	p. 109
VERTICLOSE-2	Heavy duty 90° or 180° retrofit hydraulic gate closer for gates up to 330 lbs	GATE CLOSERS	p. 37
VERTICLOSE-2-WALL	90° or 180° hydraulic gate closer for wall-mounted gates up to 330 lbs	GATE CLOSERS	p. 41
VINCI - LMKQ	Surface mounted mechanical code lock	LOCKS & KEEPS	p. 59
VSF / VSA	Hot-dip galvanized / aluminum drop bolt	HINGES & DROP BOLTS	p. 102



#WE ARE LOCINOX



FORWARD

Innovation as the engine
of your growth



MODULARITY

Designed with flexibility
at every moment



ADDED VALUE

High quality to ensure
your peace of mind



24/7 WEBSHOP

Order when
it suits you



FULL SERVICE

Exceptional
after-sales service



3 YEAR WARRANTY

Sustainable solutions
in the very long term



TRANSPARENCY

A sincere and clear
communication, day after day



RELIABLE

Our promises and
deadlines are always met



LOYAL

Long-term relationships and a
win-win situation for everyone

LOCINOX USA LLC

460 Windy Point Drive
Glendale Heights
IL 60139 - USA

 877- LOCINOX

 salesusa@locinox.com

For additional product details, drawings, specs or reference pictures, visit our website:  www.locinoxusa.com